
COAXIAL ADAPTER

SHENZHEN ZHIHE TECHNOLOGY CO., LTD www.zhihecable.com

ABOUT US & INDEX

We specialize in high-performance RF & Microwave products.

At present, we can offer the following 4 products:

1. Antenna
2. Cable assembly
3. Coaxial components
4. Waveguide components

This catalogue is for the coaxial adapters.

The total is 255

Download coaxial cables catalogue

WITHIN SERIES		NO.1-47D	
1.0mm	1-3	TNC	47B-47D
SMP	4-5		
1.85mm	6-10C		
2.4mm	11-15C1		
2.92mm	16-27		
3.5mm	28-32C		
SSMA	33-35		
SMA	36-42F		
N	43-47A		
BETWEEN SERIES		NO.48-210	
1.0mm ⇌ 1.85mm	48-51	SSMA ⇌ SMP	133-136
1.0mm ⇌ 2.4mm	52-55	SSMA ⇌ SSMP	137-140
1.0mm ⇌ 2.92mm	55A-55D	SSMA ⇌ N	141-144
1.85mm ⇌ 2.4mm	56-59D	3.5mm ⇌ BMA	145-148
1.85mm ⇌ 2.92mm	60-63	3.5mm ⇌ SBMA	149-152
1.85mm ⇌ 3.5mm	64-67	3.5mm ⇌ SSMA	153-156
1.85mm ⇌ SMA	68-71	3.5mm ⇌ SMP	157-160
		3.5mm ⇌ N	161-164
		3.5mm ⇌ SMA	164A-164D
		3.5mm ⇌ TNCA	164E-164H
2.4mm ⇌ 2.92mm	80-84D	SMA ⇌ SSMA	165-168
2.4mm ⇌ 3.5mm	85-88	SMA ⇌ BNC	169-172
2.4mm ⇌ SMA	89-92	SMA ⇌ N	173-177C
2.4mm ⇌ SSMA	93-96	SMA ⇌ SMP	191-194
2.4mm ⇌ SMP	97-100	SMA ⇌ SSMP	195-198
2.4mm ⇌ SSMP	101-104		
2.4mm ⇌ N	105-108		
2.92mm ⇌ 3.5mm	109-112	N ⇌ L16	178-182
2.92mm ⇌ SMP	113-116	N ⇌ TNC	199-206
2.92mm ⇌ SSMP	117-120	N ⇌ BNC	207-210
2.92mm ⇌ SMA	121-124	... ⇌
2.92mm ⇌ SSMA	125-128		
2.92mm ⇌ N	129-132		

WITHIN SERIES

1.0 \Rightarrow 1.0



- **Characteristic**

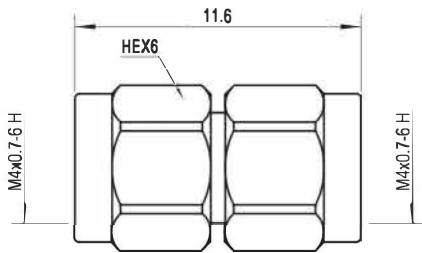
Impedance : 50 Ω
 Life Time: 1000 times
 Operating Range: -55 C ~+165 C
 Unit: mm

- **Material**

Body: stainless steel passivation
 Center pin: beryllium/gold plating
 Dielectric: PEI

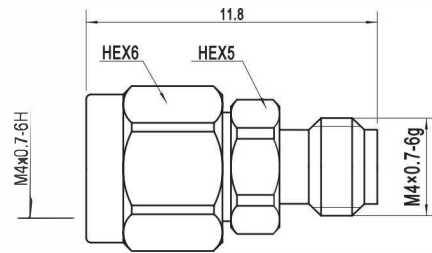
1	Model	Frequency Range	VSWR
	1.0-JJ	DC-110GHz	≤ 1.4

Type: 1.0mm plug/male
 1.0mm plug/male



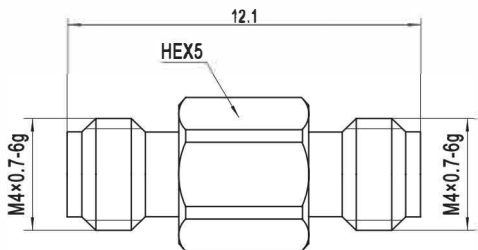
2	Model	Frequency Range	VSWR
	1.0-JK	DC-110GHz	≤ 1.4

Type: 1.0mm plug/male
 1.0mm jack/female



3	Model	Frequency Range	VSWR
	1.0-KK	DC-110GHz	≤ 1.4

Type: 1.0mm jack/female
 1.0mm jack/female



WITHIN SERIES

SMP \Rightarrow SMP



- **Characteristic**

Impedance : 50 Ω
 Life Time: 1000 times
 Operating Range: -55 $^{\circ}$ C ~+165 $^{\circ}$ C
 Unit: mm

- **Material**

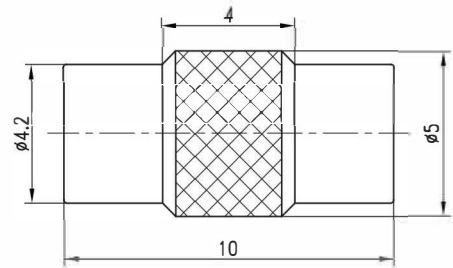
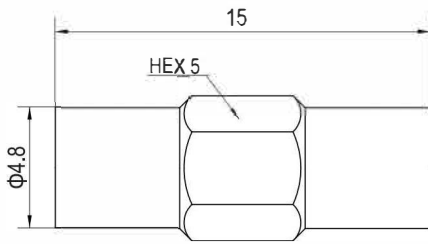
Body: stainless steel passivation
 beryllium/gold plating
 Center pin: beryllium/gold plating
 Dielectric: PTFE

4	Model	Frequency Range	VSWR
	SMP-JJ	DC-18GHz	≤ 1.30

4-1	Model	Frequency Range	VSWR
	SMP-JJ	DC-18GHz	≤ 1.20

Body: stainless steel passivation
 Type: SMP plug/male
 SMP plug/male

Body: stainless steel passivation
 Type: SMP plug/male
 SMP plug/male

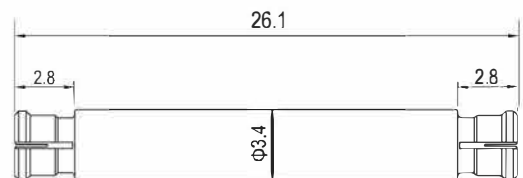
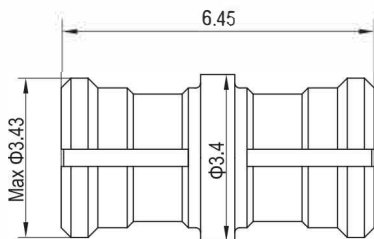


4A	Model	Frequency Range	VSWR
	SMP-KK	DC-18GHz	≤ 1.30

5	Model	Frequency Range	VSWR
	SMP-KK	DC-40GHz	≤ 1.30

Body: beryllium/gold plating
 Type: SMP jack/female
 SMP jack/female

Body: beryllium/gold plating
 Type: SMP jack/female
 SMP jack/female



WITHIN SERIES

1.85 \Rightarrow 1.85



- Characteristic**

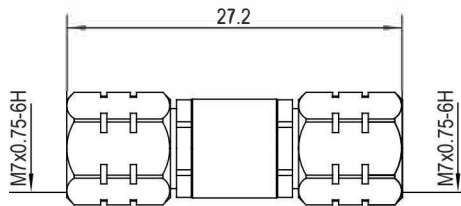
Impedance : 50 Ω
 Life Time: 4000 times
 Operating Range: -55 $^{\circ}$ C ~+165 $^{\circ}$ C
 Unit: mm

- Material**

Body: stainless steel passivation
 Center pin: beryllium/gold plating
 Dielectric: PEI&PTFE

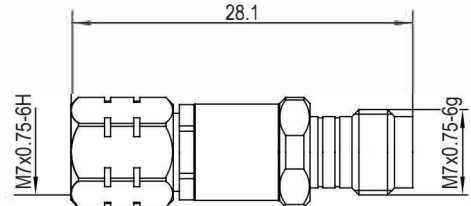
6	Model	Frequency Range	VSWR
	1.85-JJ	DC-67GHz	≤ 1.25

Type: 1.85mm plug/male
 1.85mm plug/male



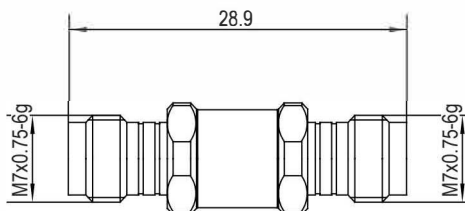
7	Model	Frequency Range	VSWR
	1.85-JK	DC-67GHz	≤ 1.25

Type: 1.85mm plug/male
 1.85mm jack/female



8	Model	Frequency Range	VSWR
	1.85-KK	DC-67GHz	≤ 1.25

Type: 1.85mm jack/female
 1.85mm jack/female

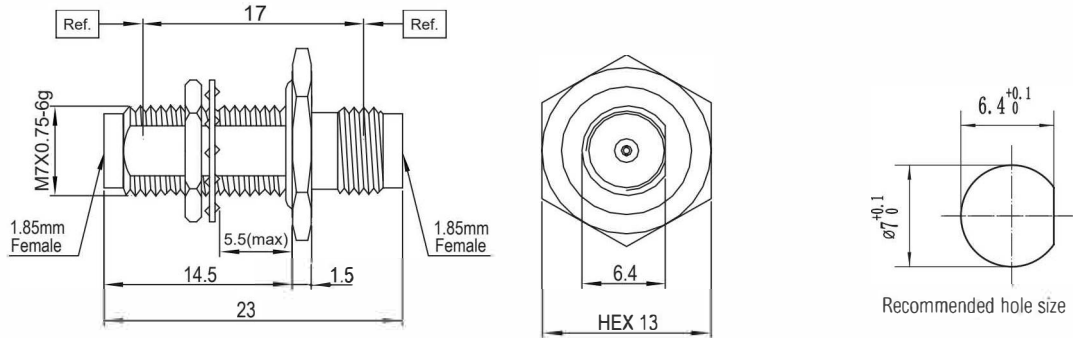


WITHIN SERIES

1.85 = 1.85

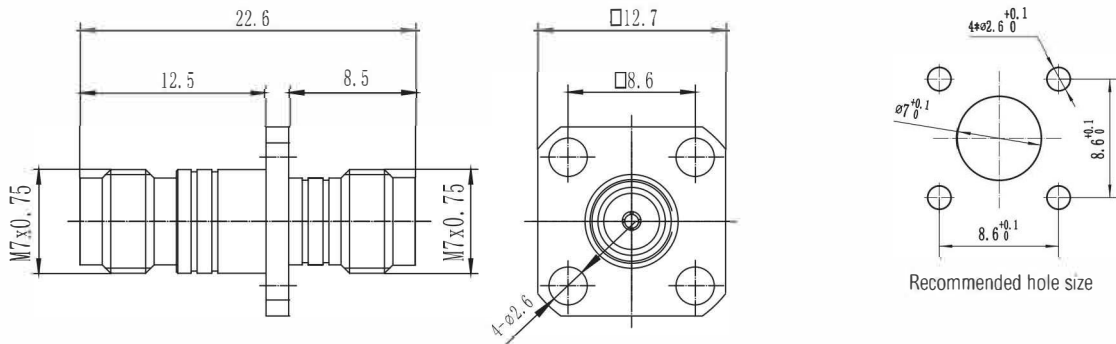
9	Model	Frequency Range	VSWR
	1.85-KYK	DC-67GHz	≤1.25

Type: 1.85mm jack/female
1.85mm jack/female



10	Model	Frequency Range	VSWR
	1.85-KFK	DC-67GHz	≤1.25

Type: 1.85mm jack/female
1.85mm jack/female

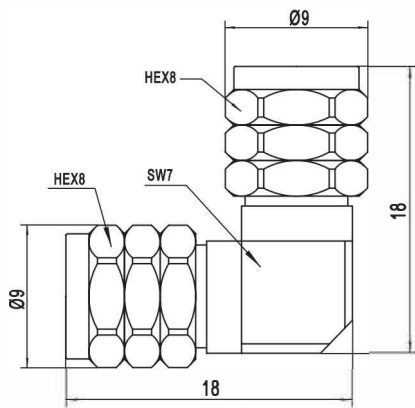


WITHIN SERIES

1.85 = 1.85

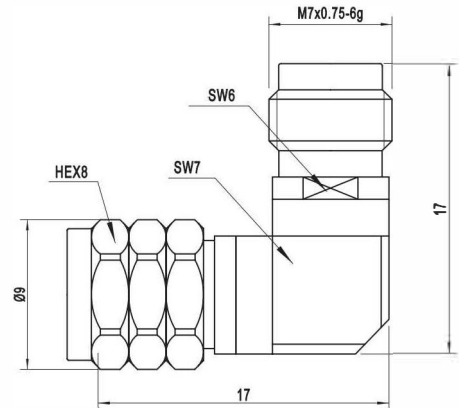
10A	Model	Frequency Range	VSWR
	1.85-JWJ	DC-67GHz	≤1.30

Type: 1.85mm plug/male
1.85mm plug/male



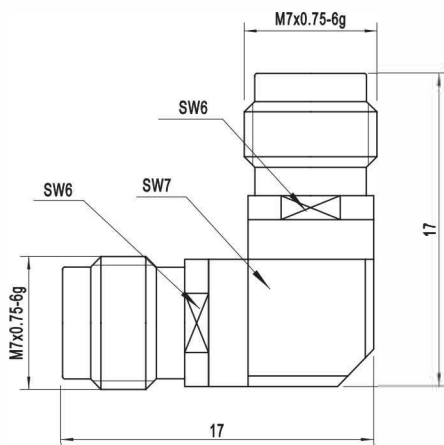
10B	Model	Frequency Range	VSWR
	1.85-JWK	DC-67GHz	≤1.30

Type: 1.85mm plug/male
1.85mm jack/female



10C	Model	Frequency Range	VSWR
	1.85-KWK	DC-67GHz	≤1.30

Type: 1.85mm jack/female
1.85mm jack/female



WITHIN SERIES

2.4 ≅ 2.4



- **Characteristic**

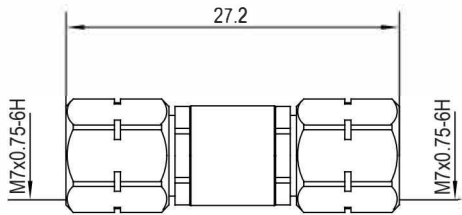
Impedance : 50Ω
 Life Time: 5000 times
 Operating Range: -55 C ~+165 C
 Unit: mm

- **Material**

Body: stainless steel passivation
 Center pin: beryllium/gold plating
 Dielectric: PEI&PTFE

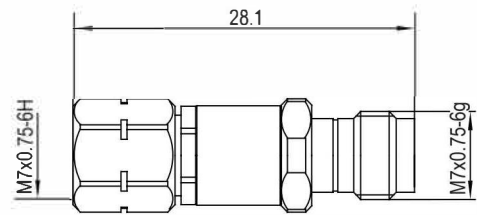
11	Model	Frequency Range	VSWR
	2.4-JJ	DC-50GHz	≤1.20

Type: 2.4mm plug/male
 2.4mm plug/male



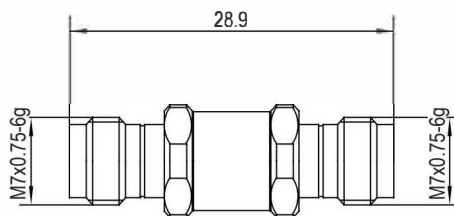
12	Model	Frequency Range	VSWR
	2.4-JK	DC-50GHz	≤1.25

Type: 2.4mm plug/male
 2.4mm jack/female



13	Model	Frequency Range	VSWR
	2.4-KK	DC-50GHz	≤1.20

Type: 2.4mm jack/female
 2.4mm jack/female

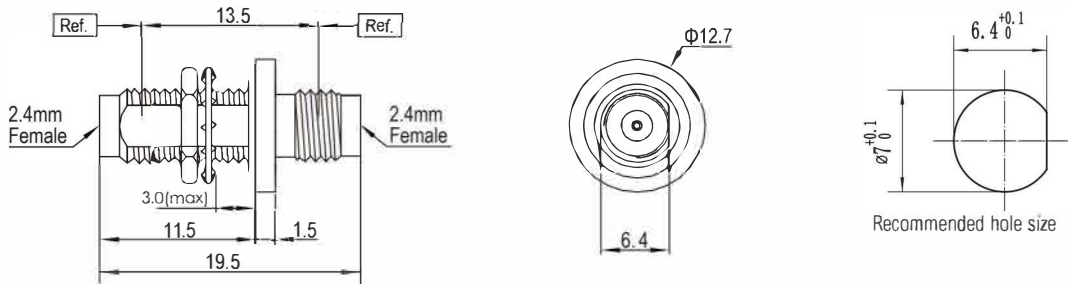


WITHIN SERIES

2.4 ≅ 2.4

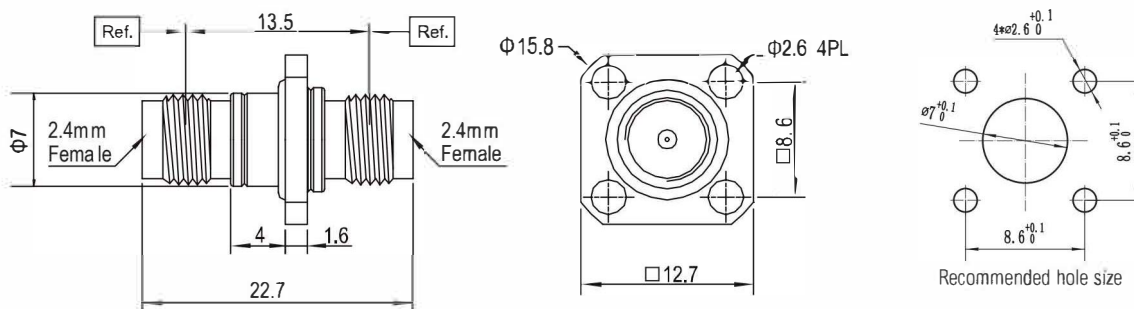
14	Model	Frequency Range	VSWR
	2.4-KYK	DC-50GHz	≤1.20

Type: 2.4mm jack/female
2.4mm jack/female



15	Model	Frequency Range	VSWR
	2.4-KFK	DC-50GHz	≤1.20

Type: 2.4mm jack/female
2.4mm jack/female

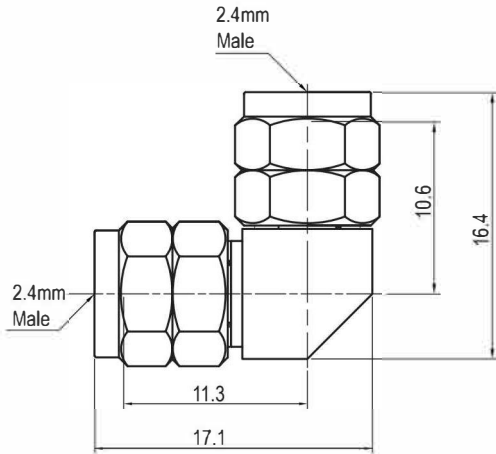


WITHIN SERIES

2.4 ≅ 2.4

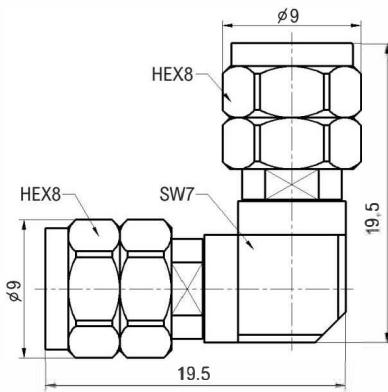
15A	Model	Frequency Range	VSWR
	2.4-JWJ	DC-50GHz	≤1.40

Type: 2.4mm plug/male
2.4mm plug/male



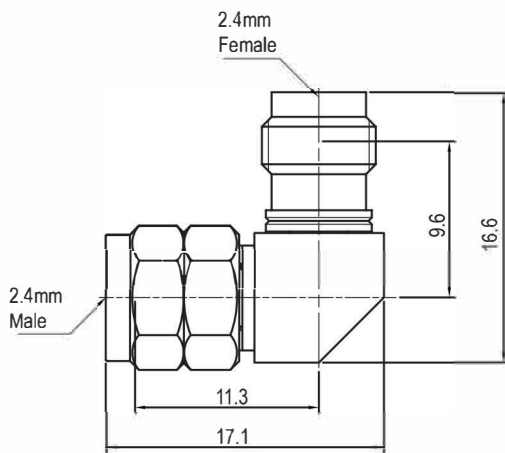
15A1	Model	Frequency Range	VSWR
	2.4-JWJ	DC-50GHz	≤1.25

Type: 2.4mm plug/male
2.4mm plug/male



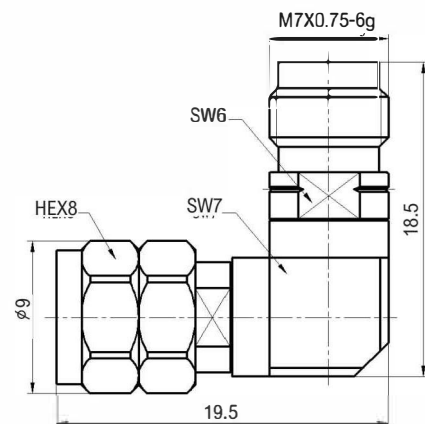
15B	Model	Frequency Range	VSWR
	2.4-JWK	DC-50GHz	≤1.30

Type: 2.4mm plug/male
2.4mm jack/female



15B1	Model	Frequency Range	VSWR
	2.4-JWK	DC-50GHz	≤1.25

Type: 2.4mm plug/male
2.4mm jack/female

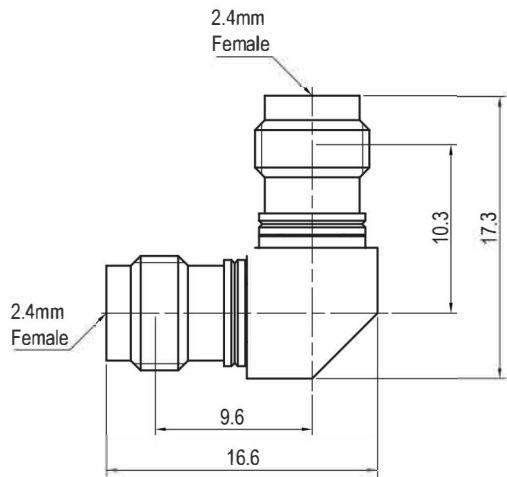


WITHIN SERIES

2.4 ⇌ 2.4

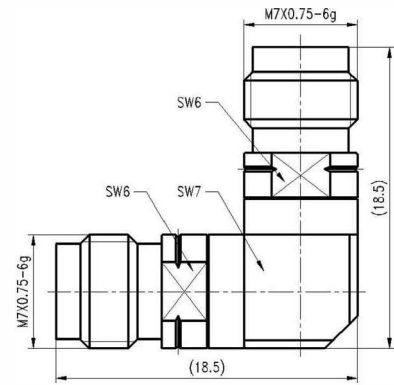
15C	Model	Frequency Range	VSWR
	2.4-KWK	DC-50GHz	≤1.30

Type: 2.4mm jack/female
2.4mm jack/female



15C1	Model	Frequency Range	VSWR
	2.4-KWK	DC-50GHz	≤1.25

Type: 2.4mm jack/female
2.4mm jack/female



WITHIN SERIES

2.92 = 2.92



- Characteristic**

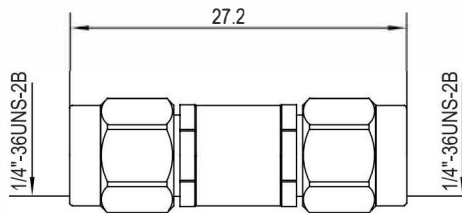
Impedance : 50Ω
 Life Time: 6000 times
 Operating Range: -55 C ~+165 C
 Unit: mm

- Material**

Body: stainless steel passivation
 Center pin: beryllium/gold plating
 Dielectric: PEI&PTFE

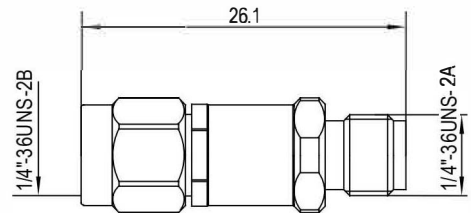
16	Model	Frequency Range	VSWR
	2.92-JJ	DC-40GHz	≤1.20

Type: 2.92mm plug/male
 2.92mm plug/male



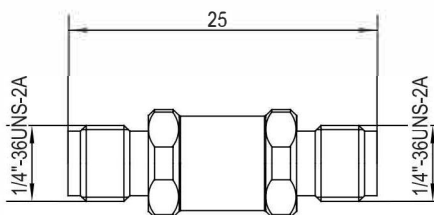
17	Model	Frequency Range	VSWR
	2.92-JK	DC-40GHz	≤1.15

Type: 2.92mm plug/male
 2.92mm jack/female



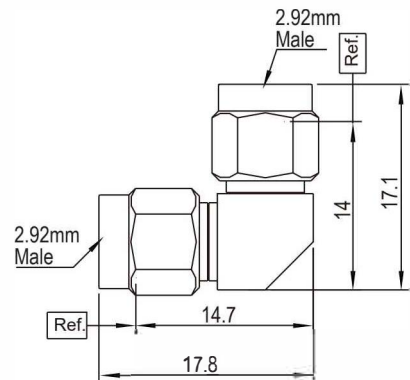
18	Model	Frequency Range	VSWR
	2.92-KK	DC-40GHz	≤1.20

Type: 2.92mm jack/female
 2.92mm jack/female



19	Model	Frequency Range	VSWR
	2.92-JWJ	DC-40GHz	≤1.25

Type: 2.92mm plug/male
 2.92mm plug/male

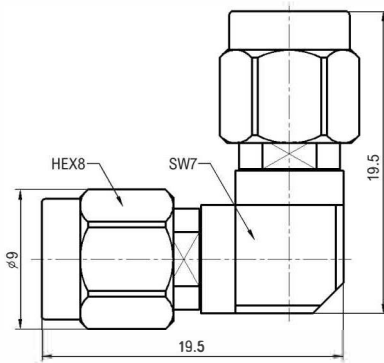


WITHIN SERIES

2.92 = 2.92

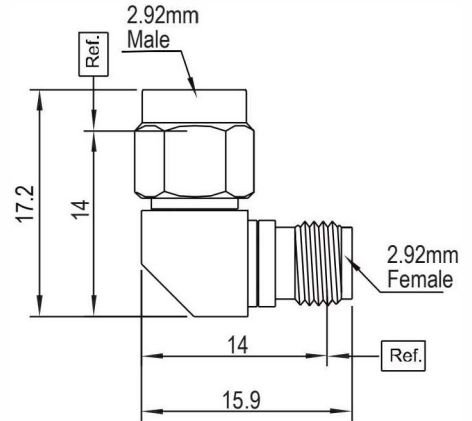
19A	Model	Frequency Range	VSWR
	2.92-JWJ	DC-40GHz	≤1.25

Type: 2.92mm plug/male
2.92mm plug/male



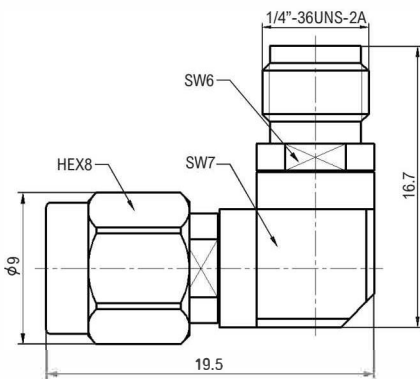
20	Model	Frequency Range	VSWR
	2.92-JWK	DC-40GHz	≤1.25

Type: 2.92mm jack/female
2.92mm plug/male



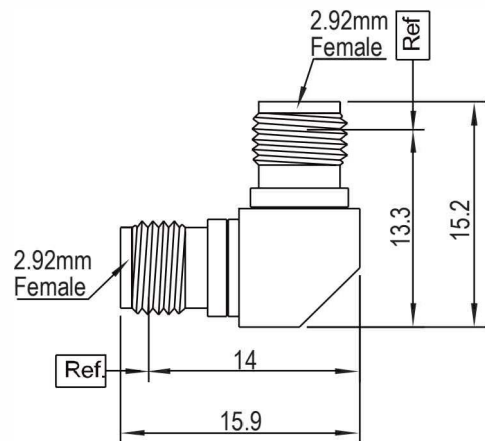
20A	Model	Frequency Range	VSWR
	2.92-JWK	DC-40GHz	≤1.25

Type: 2.92mm jack/female
2.92mm plug/male



21	Model	Frequency Range	VSWR
	2.92-KWK	DC-40GHz	≤1.25

Type: 2.92mm jack/female
2.92mm jack/female

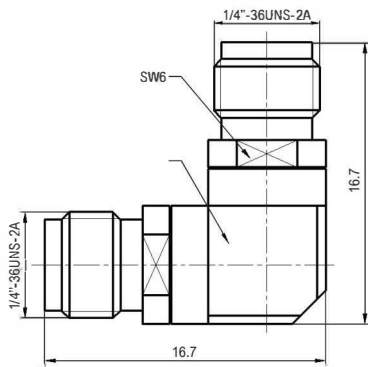


WITHIN SERIES

2.92 = 2.92

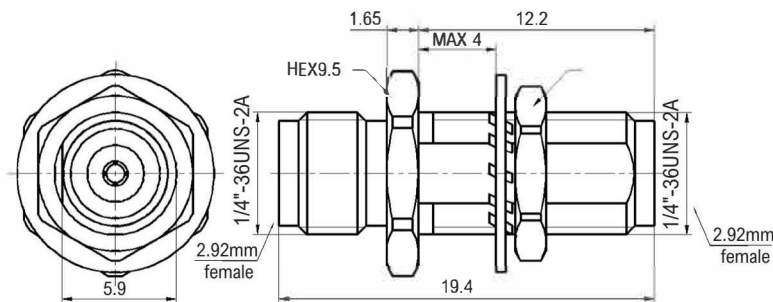
21A	Model	Frequency Range	VSWR
	2.92-KWK	DC-40GHz	≤1.25

Type: 2.92mm jack/female
2.92mm jack/female



22	Model	Frequency Range	VSWR
	2.92-KYK	DC-40GHz	≤1.20

Type: 2.92mm jack/female
2.92mm jack/female

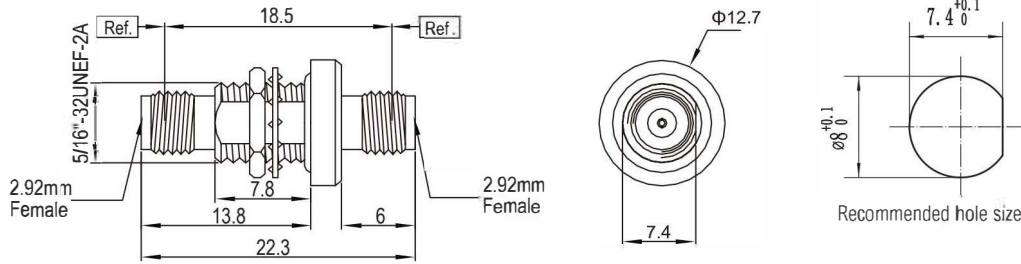


WITHIN SERIES

2.92 = 2.92

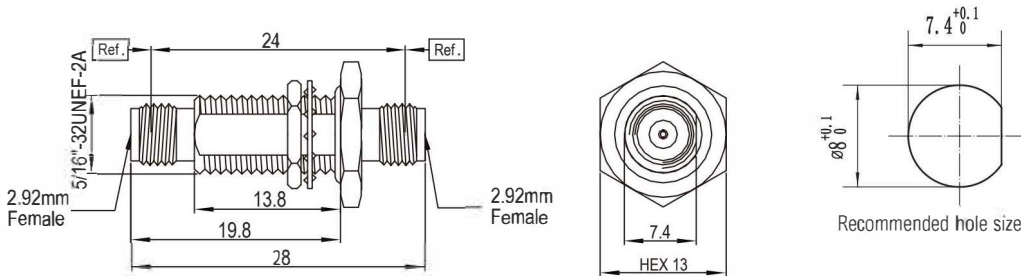
23	Model	Frequency Range	VSWR
	2.92-KYK	DC-40GHz	≤1.20

Type: 2.92mm jack/female
2.92mm jack/female



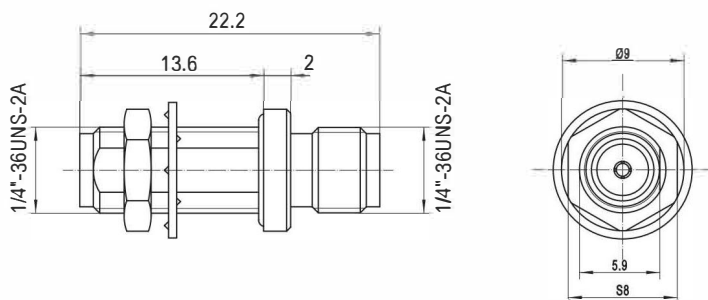
24	Model	Frequency Range	VSWR
	2.92-KYK	DC-40GHz	≤1.20

Type: 2.92mm jack/female
2.92mm jack/female



24A	Model	Frequency Range	VSWR
	2.92-KYK	DC-40GHz	≤1.20

Type: 2.92mm jack/female
2.92mm jack/female

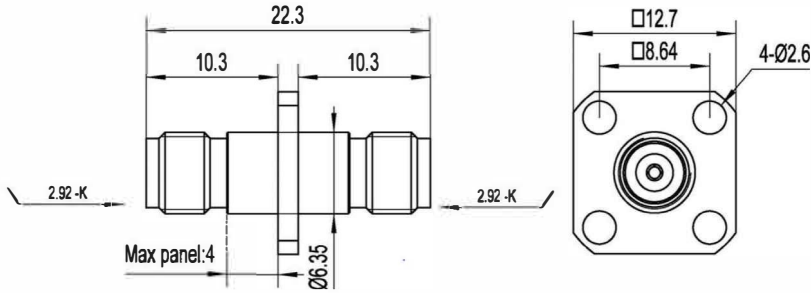


WITHIN SERIES

2.92 = 2.92

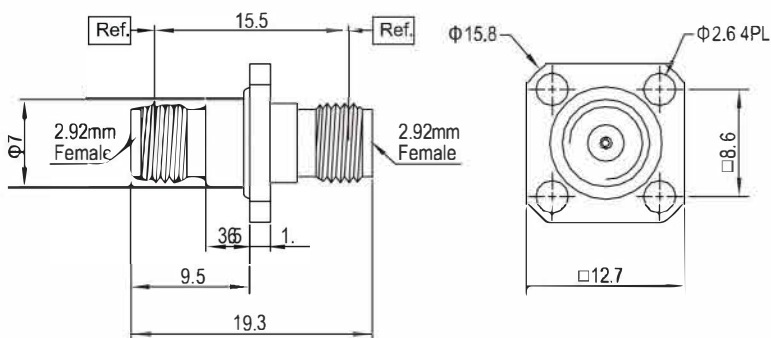
24B	Model	Frequency Range	VSWR
	2.92-KFK	DC-40GHz	≤1.20

Type: 2.92mm jack/female
2.92mm jack/female



25	Model	Frequency Range	VSWR
	2.92-KFK	DC-40GHz	≤1.20

Type: 2.92mm jack/female
2.92mm jack/female

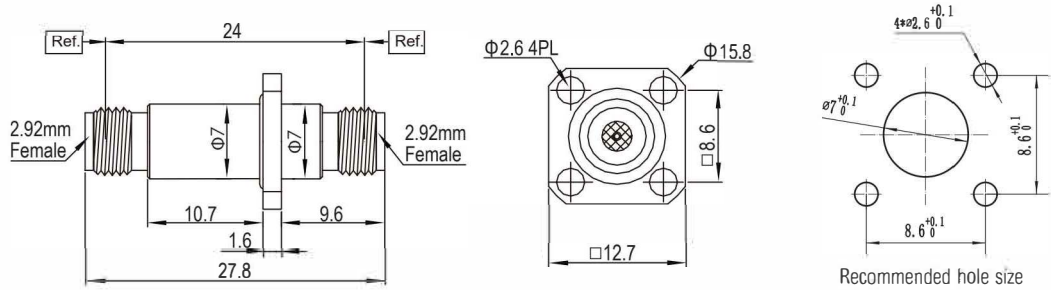


WITHIN SERIES

2.92 = 2.92

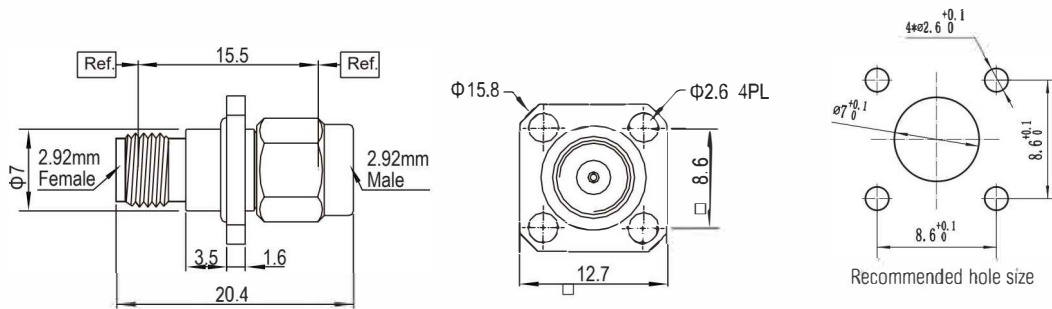
26	Model	Frequency Range	VSWR
	2.92-KFK	DC-40GHz	≤1.20

Type: 2.92mm jack/female
2.92mm jack/female



27	Model	Frequency Range	VSWR
	2.92-JFK	DC-40GHz	≤1.15

Type: 2.92mm jack/female
2.92mm plug/male



WITHIN SERIES

3.5 \approx 3.5



- **Characteristic**

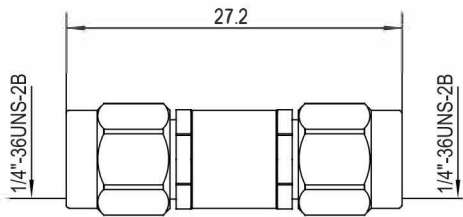
Impedance : 50 Ω
 Life Time: 8000 times
 Operating Range: -55 C ~+165 C
 Unit: mm

- **Material**

Body: stainless steel passivation
 Center pin: beryllium/gold plating
 Dielectric: PEI&PTFE

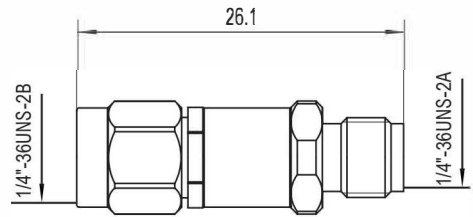
28	Model	Frequency Range	VSWR
	3.5-JJ	DC-26.5GHz	≤ 1.20

Type: 3.5mm plug/male
 3.5mm plug/male



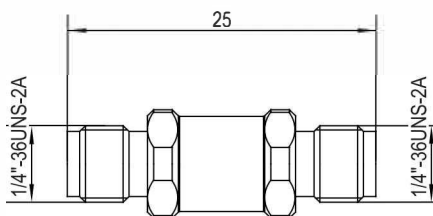
29	Model	Frequency Range	VSWR
	3.5-JK	DC-26.5GHz	≤ 1.15

Type: 3.5mm plug/male
 3.5mm jack/female



30	Model	Frequency Range	VSWR
	3.5-KK	DC-26.5GHz	≤ 1.15

Type: 3.5mm jack/female
 3.5mm jack/female

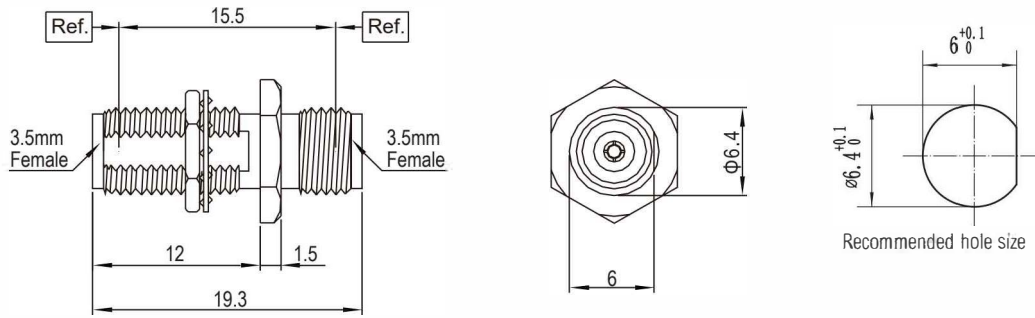


WITHIN SERIES

3.5 \approx 3.5

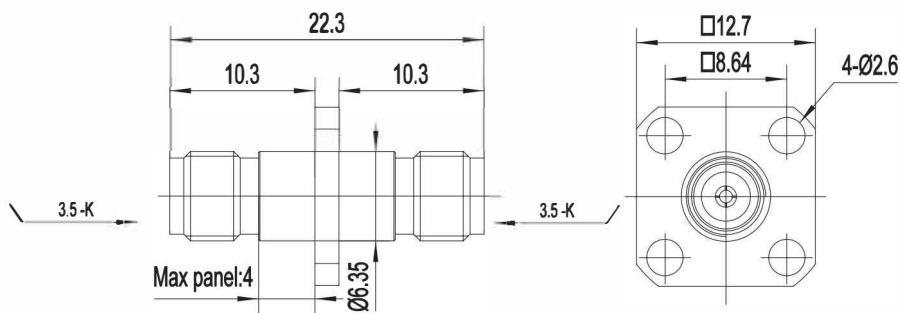
31	Model	Frequency Range	VSWR
	3.5-KYK	DC-26.5GHz	≤ 1.15

Type: 3.5mm jack/female
3.5mm jack/female



32	Model	Frequency Range	VSWR
	3.5-KFK	DC-26.5GHz	≤ 1.15

Type: 3.5mm jack/female
3.5mm jack/female

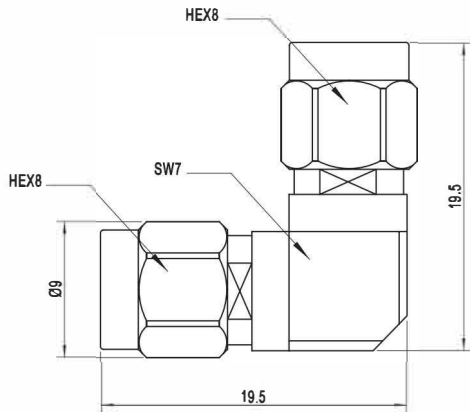


WITHIN SERIES

3.5 ≈ 3.5

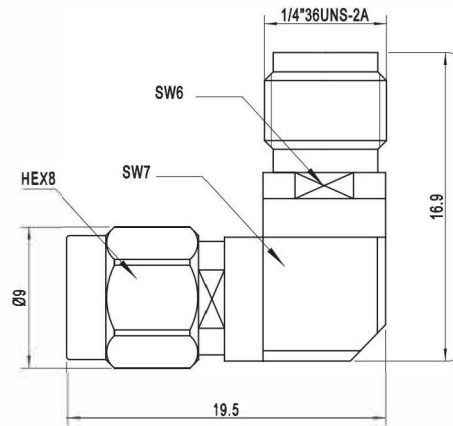
32A	Model	Frequency Range	VSWR
	3.5-JWJ	DC-26.5GHz	≤1.20

Type: 3.5mm plug/male
3.5mm plug/male



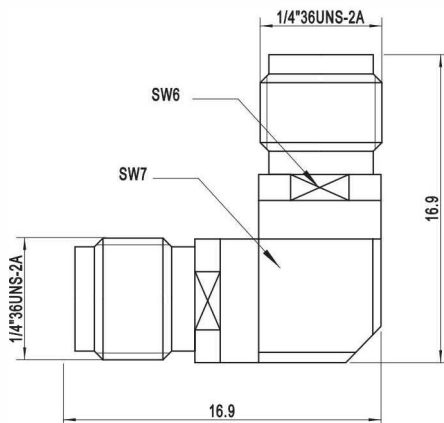
32B	Model	Frequency Range	VSWR
	3.5-JWK	DC-26.5GHz	≤1.20

Type: 3.5mm plug/male
3.5mm jack/female



32C	Model	Frequency Range	VSWR
	3.5-KWK	DC-26.5GHz	≤1.20

Type: 3.5mm jack/female
3.5mm jack/female



WITHIN SERIES

SSMA = SSMA



- **Characteristic**

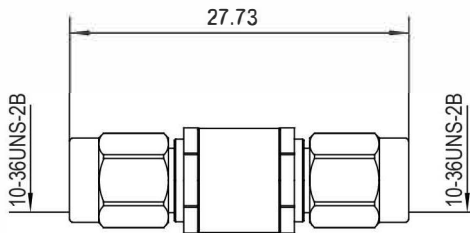
Impedance : 50Ω
 Life Time: 10000 times
 Operating Range: -55 C ~+165 C
 Unit: mm

- **Material**

Body: stainless steel passivation
 Center pin: beryllium/gold plating
 Dielectric: PEI

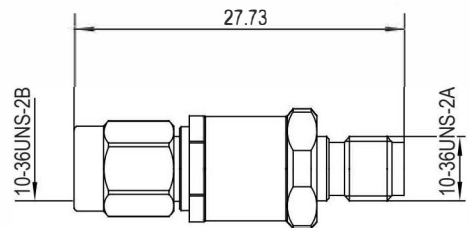
33	Model	Frequency Range	VSWR
	SSMA-JJ	DC-40GHz	≤1.30

Type: SSMA plug/male
 SSMA plug/male



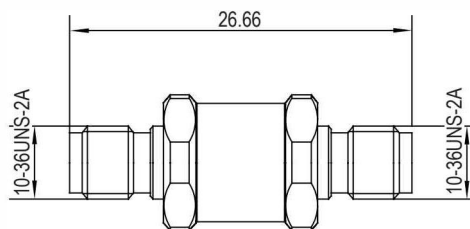
34	Model	Frequency Range	VSWR
	SSMA-JK	DC-40GHz	≤1.25

Type: SSMA plug/male
 SSMA jack/female



35	Model	Frequency Range	VSWR
	SSMA-KK	DC-40GHz	≤1.30

Type: SSMA jack/female
 SSMA jack/female



WITHIN SERIES

SMA \approx SMA



- **Characteristic**

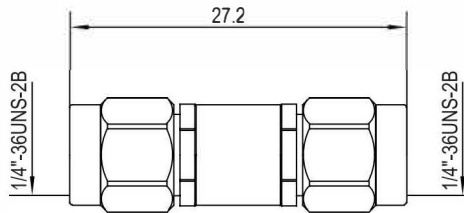
Impedance : 50 Ω
 Life Time: 10000 times
 Operating Range: -55 C ~+165 C
 Unit: mm

- **Material**

Body: stainless steel passivation
 Center pin: beryllium/gold plating
 Dielectric: PTFE

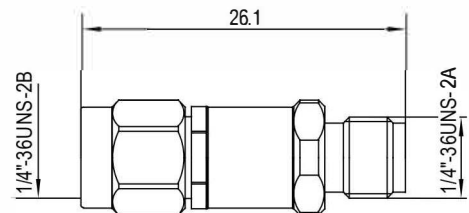
36	Model	Frequency Range	VSWR
	SMA-JJ	DC-26.5GHz	≤ 1.15

Type: SMA plug/male
 SMA plug/male



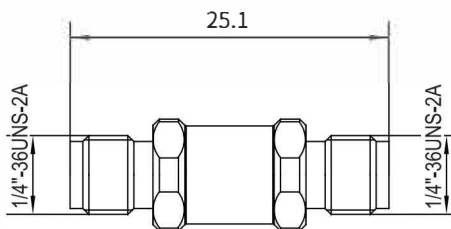
37	Model	Frequency Range	VSWR
	SMA-JK	DC-26.5GHz	≤ 1.20

Type: SMA plug/male
 SMA jack/female



38	Model	Frequency Range	VSWR
	SMA-KK	DC-26.5GHz	≤ 1.20

Type: SMA jack/female
 SMA jack/female

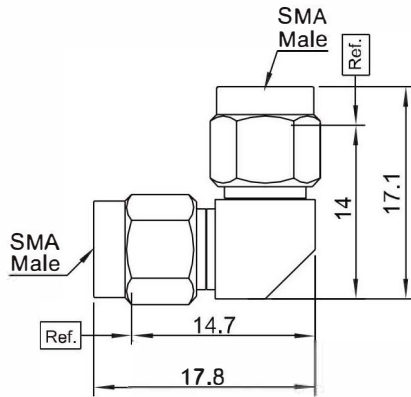


WITHIN SERIES

SMA = SMA

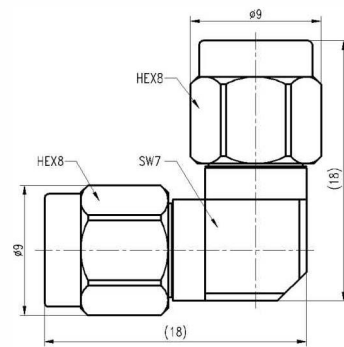
40	Model	Frequency Range	VSWR
	SMA-JWJ	DC-26.5GHz	≤1.25

Type: SMA plug/male
SMA plug/male



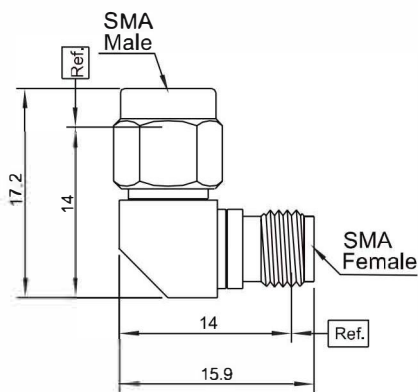
40A	Model	Frequency Range	VSWR
	SMA-JWJ	DC-26.5GHz	≤1.20

Type: SMA plug/male
SMA plug/male



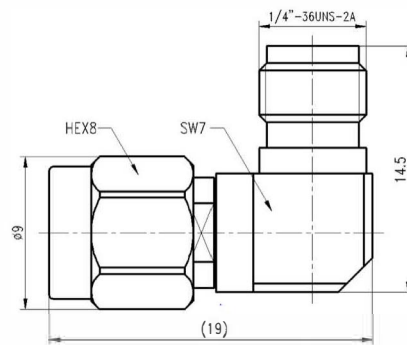
41	Model	Frequency Range	VSWR
	SMA-JWK	DC-26.5GHz	≤1.25

Type: SMA jack/female
SMA plug/male



41A	Model	Frequency Range	VSWR
	SMA-JWK	DC-18GHz	≤1.25

Type: SMA jack/female
SMA plug/male

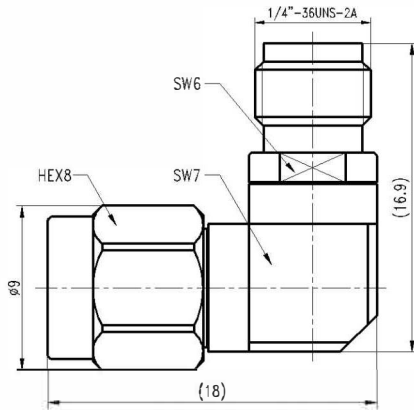


WITHIN SERIES

SMA = SMA

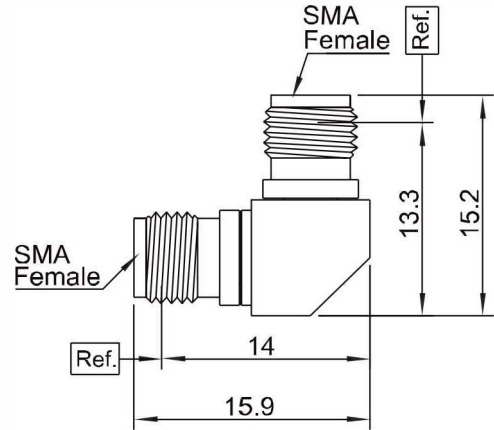
41B	Model	Frequency Range	VSWR
	SMA-JWK	DC-26.5GHz	≤1.20

Type: SMA jack/female
SMA plug/male



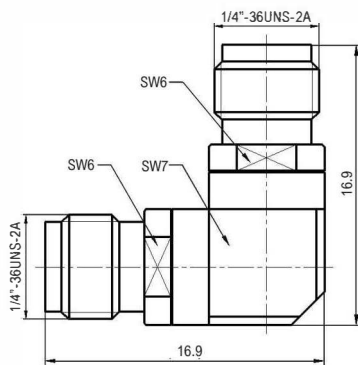
42	Model	Frequency Range	VSWR
	SMA-KWK	DC-26.5GHz	≤1.25

Type: SMA jack/female
SMA jack/female



42-1	Model	Frequency Range	VSWR
	SMA-KWK	DC-26.5GHz	≤1.20

Type: SMA jack/female
SMA jack/female

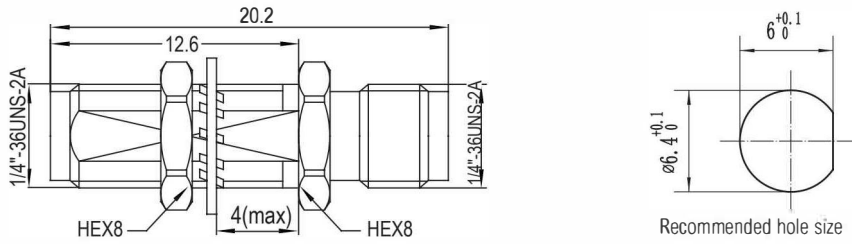


WITHIN SERIES

SMA \approx SMA

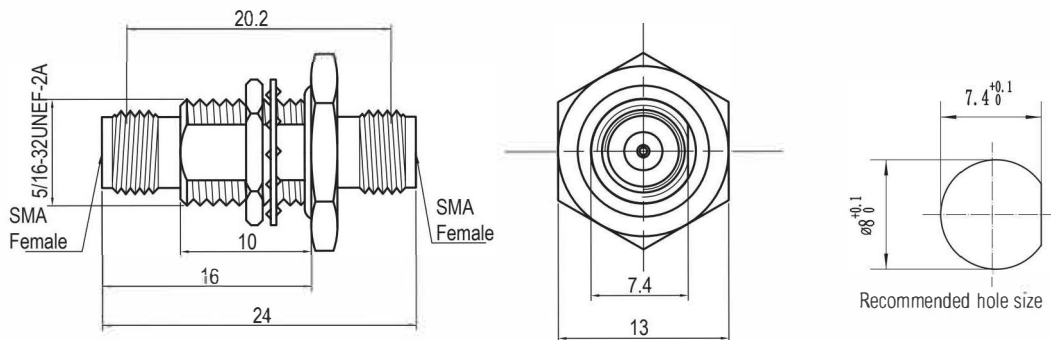
39	Model	Frequency Range	VSWR
	SMA-KYK	DC-26.5GHz	≤ 1.15

Type: SMA jack/female
SMA jack/female



42A	Model	Frequency Range	VSWR
	SMA-KYK	DC-27GHz	≤ 1.15

Type: SMA jack/female
SMA jack/female

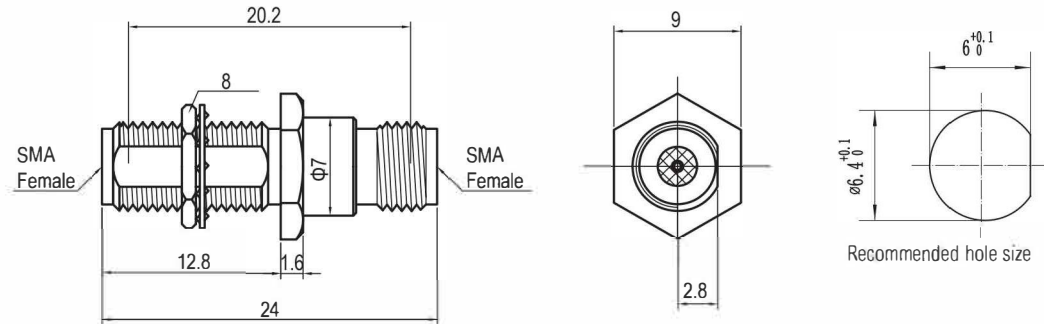


WITHIN SERIES

SMA = SMA

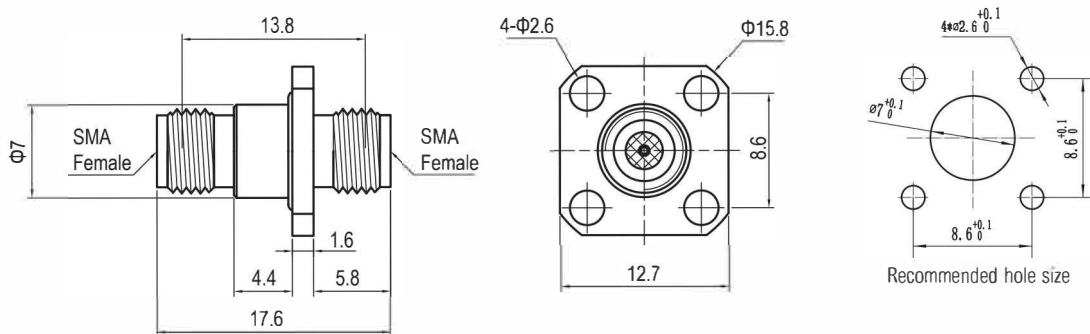
42B	Model	Frequency Range	VSWR
	SMA-KYK	DC-27GHz	≤1.15

Type: SMA jack/female
SMA jack/female



42C	Model	Frequency Range	VSWR
	SMA-KFK	DC-27GHz	≤1.15

Type: SMA jack/female
SMA jack/female

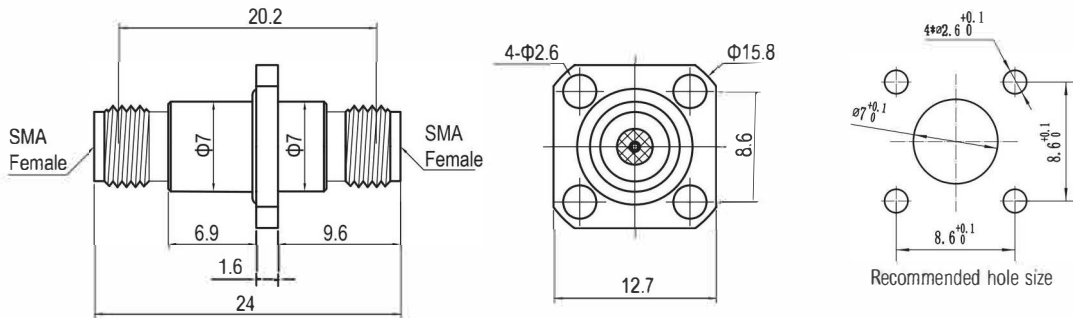


WITHIN SERIES

SMA \approx SMA

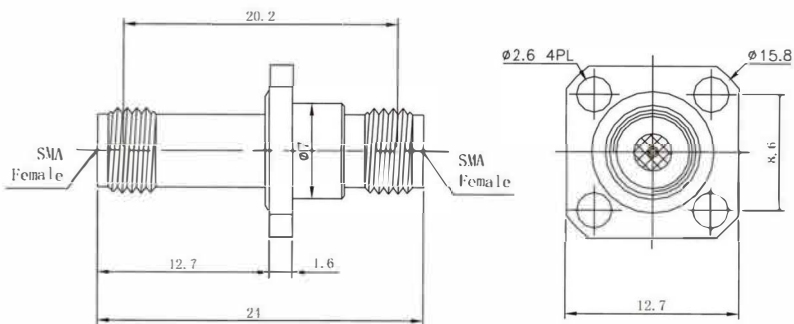
42D	Model	Frequency Range	VSWR
	SMA-KFK	DC-27GHz	≤ 1.15

Type: SMA jack/female
SMA jack/female



42D-1	Model	Frequency Range	VSWR
	SMA-KFK	DC-27GHz	≤ 1.15

Type: SMA jack/female
SMA jack/female



WITHIN SERIES

SMA \approx SMA

42E	Model	Frequency Range	VSWR
	QSMA-JK	DC-18GHz	≤ 1.15

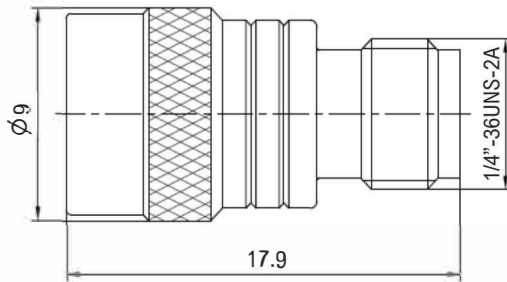
- Characteristic

Impedance : 50Ω
Life Time: 1000 times
Operating Range: $-55\text{ C} \sim +165\text{ C}$
Unit: mm

- Material

Body: stainless steel passivation
Center pin: beryllium copper gold plated
Dielectric: PTFE

Type: SMA Quick plug/male
SMA jack/female



WITHIN SERIES

N ≅ N



- **Characteristic**

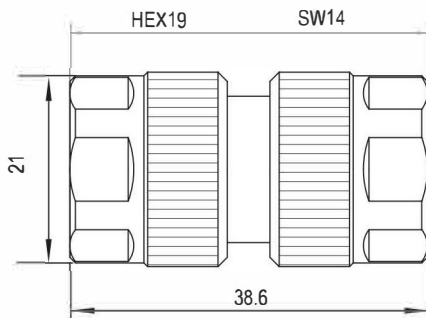
Impedance : 50Ω
 Life Time: 10000 times
 Operating Range: -55 C ~+165 C
 Unit: mm

- **Material**

Body: stainless steel passivation
 Center pin: beryllium/gold plating
 Dielectric: PEI&PTFE

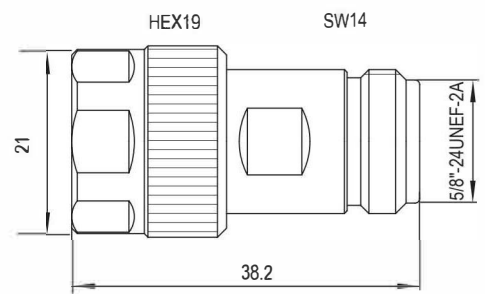
43	Model	Frequency Range	VSWR
	N-JJ	DC-18GHz	≤1.15

Type: N plug/male
 N plug/male



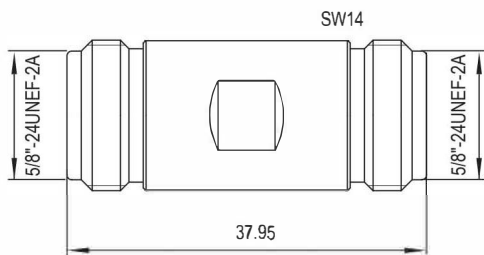
44	Model	Frequency Range	VSWR
	N-JK	DC-18GHz	≤1.15

Type: N plug/male
 N jack/female



45	Model	Frequency Range	VSWR
	N-KK	DC-18GHz	≤1.15

Type: N jack/female
 N jack/female

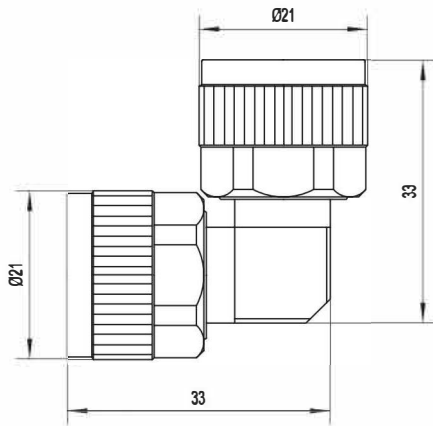


WITHIN SERIES

N ≅ N

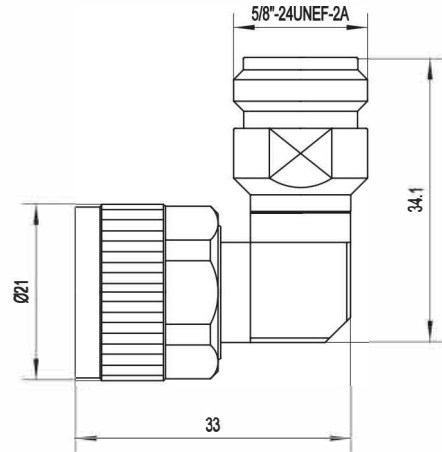
45A	Model	Frequency Range	VSWR
	N-JWJ	DC-18GHz	≤1.20

Type: N plug/male
N plug/male



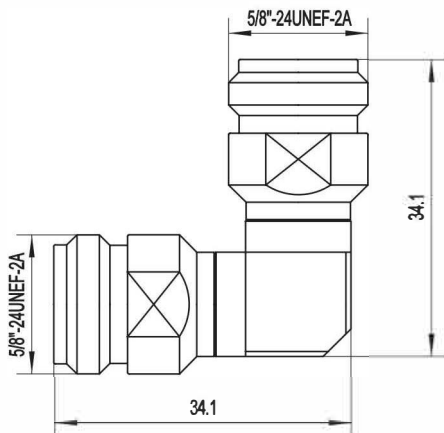
45B	Model	Frequency Range	VSWR
	N-JWK	DC-18GHz	≤1.20

Type: N plug/male
N jack/female



45C	Model	Frequency Range	VSWR
	N-KWK	DC-18GHz	≤1.20

Type: N jack/female
N jack/female

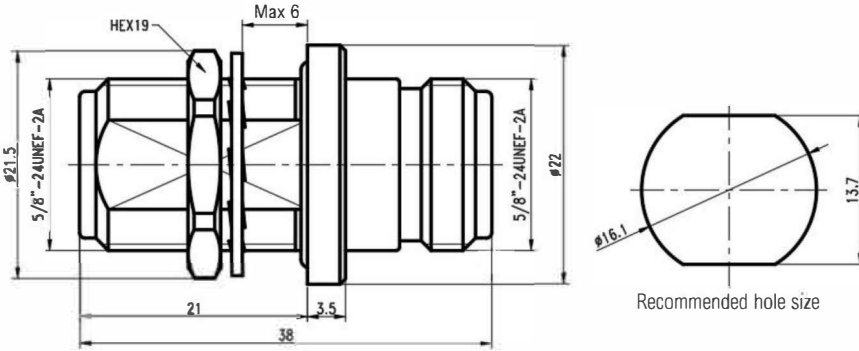


WITHIN SERIES

N ≡ N

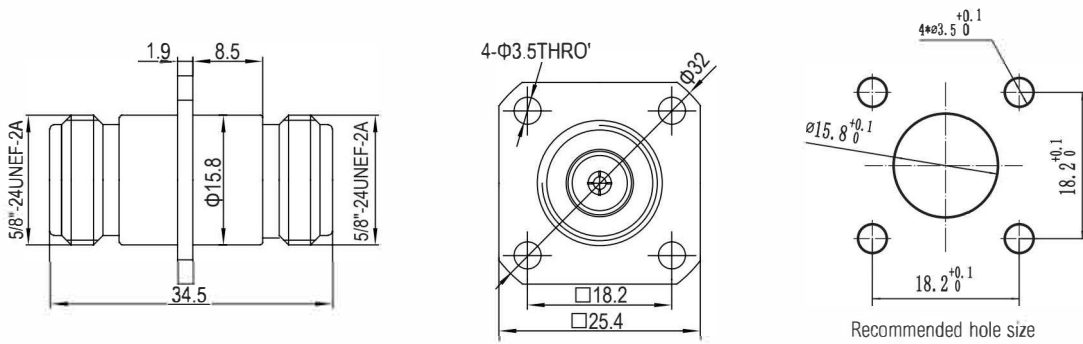
46B	Model	Frequency Range	VSWR
	N-KYK	DC-18GHz	≤1.15

Type: N jack/female
 N jack/female



47	Model	Frequency Range	VSWR
	N-KFK	DC-18GHz	≤1.20

Type: N jack/female
 N jack/female

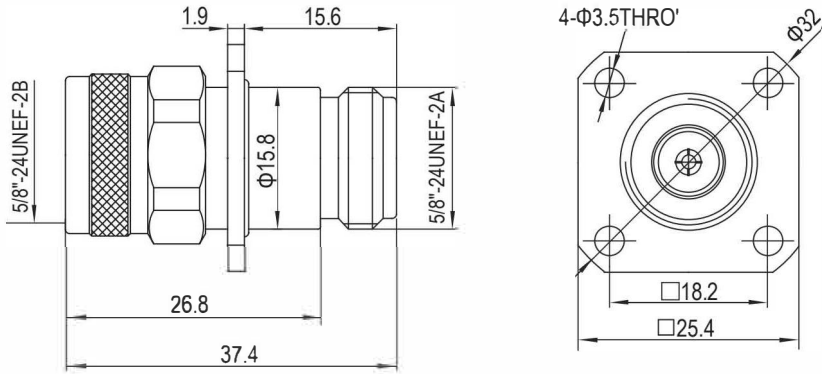


WITHIN SERIES

N ≡ N

47A	Model	Frequency Range	VSWR
	N-JFK	DC-18GHz	≤1.15

Type: N plug/male
N jack/female



WITHIN SERIES

TNC ≡ TNC



- **Characteristic**

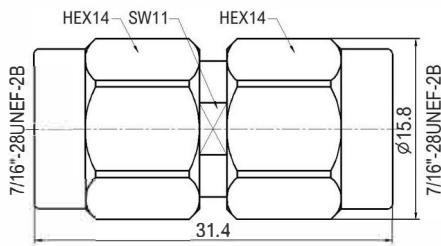
Impedance : 50Ω
 Life Time: 10000 times
 Operating Range: -55 C ~+165 C
 Unit: mm

- **Material**

Body: stainless steel passivation
 Center pin: beryllium/gold plating
 Dielectric: PEI&PTFE

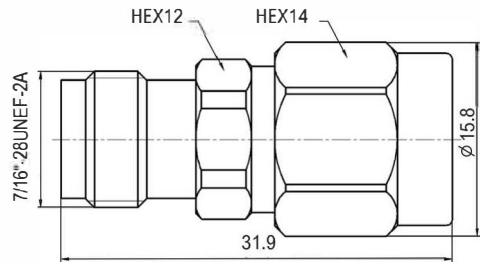
47B	Model	Frequency Range	VSWR
	TNC-JJ	DC-18GHz	≤1.20

Type: TNC plug/male
 TNC plug/male



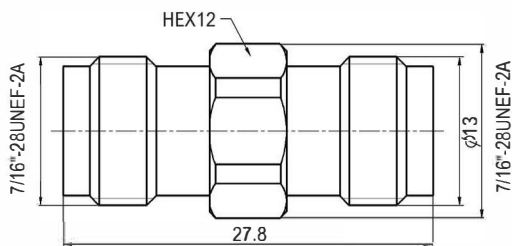
47C	Model	Frequency Range	VSWR
	TNC-JK	DC-18GHz	≤1.20

Type: TNC plug/male
 TNC jack/female



47D	Model	Frequency Range	VSWR
	TNC-KK	DC-18GHz	≤1.20

Type: TNC jack/female
 TNC jack/female



Adapter Between series



easy to connect

BETWEEN SERIES

1.0 ⇌ 1.85



- **Characteristic**

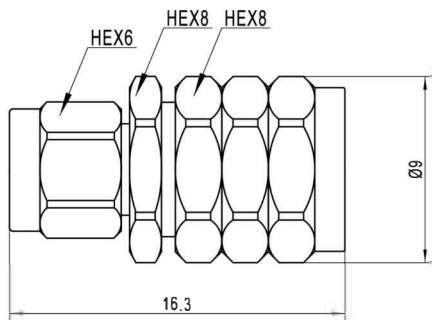
Impedance : 50Ω
 Life Time: 1000 times
 Operating Range: -55 C ~+165 C
 Unit: mm

- **Material**

Body: stainless steel passivation
 Center pin: beryllium/gold plating
 Dielectric: PEI

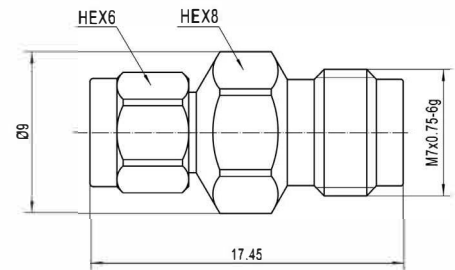
48	Model	Frequency Range	VSWR
	1.0 /1.85-JJ	DC-67GHz	≤1.30

Type: 1.0mm plug/male
 1.85mm plug/male



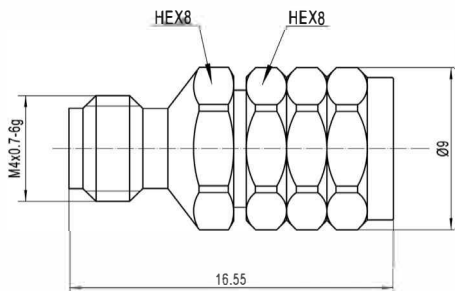
49	Model	Frequency Range	VSWR
	1.0 /1.85-JK	DC-67GHz	≤1.30

Type: 1.0mm plug/male
 1.85mm jack/female



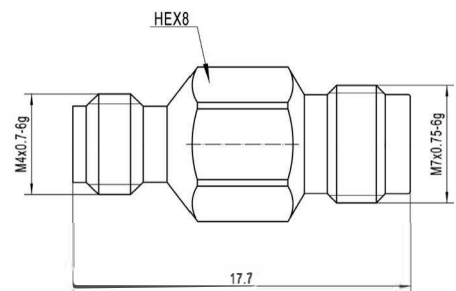
50	Model	Frequency Range	VSWR
	1.0 /1.85-KJ	DC-67GHz	≤1.30

Type: 1.0mm jack/female
 1.85mm plug/male



51	Model	Frequency Range	VSWR
	1.0 /1.85-KK	DC-67GHz	≤1.30

Type: 1.0mm jack/female
 1.85mm jack/female



BETWEEN SERIES

1.0 \Rightarrow 2.4



- **Characteristic**

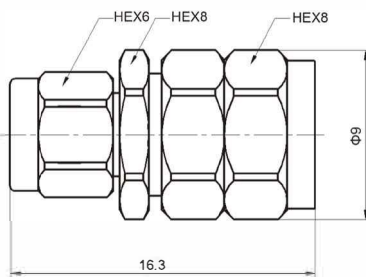
Impedance : 50 Ω
 Life Time: 1000 times
 Operating Range: -55 C ~+165 C
 Unit: mm

- **Material**

Body: stainless steel passivation
 Center pin: beryllium/gold plating
 Dielectric: PEI

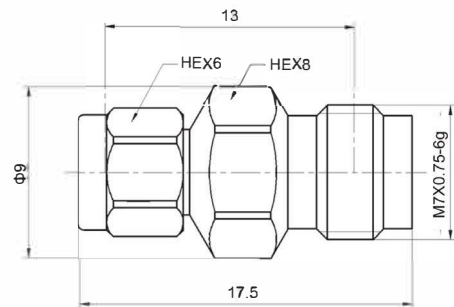
52	Model	Frequency Range	VSWR
	1.0/2.4-JJ	DC-50GHz	≤ 1.25

Type: 1.0mm plug/male
 2.4mm plug/male



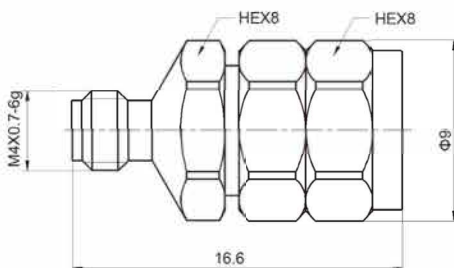
53	Model	Frequency Range	VSWR
	1.0/2.4-JK	DC-50GHz	≤ 1.25

Type: 1.0mm plug/male
 2.4mm jack/female



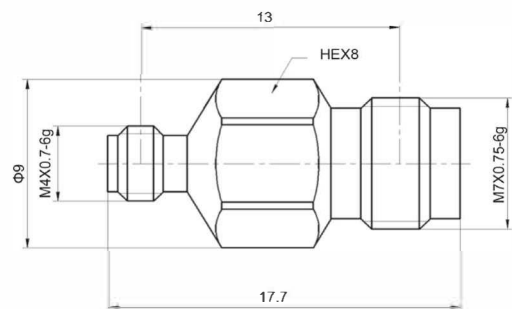
54	Model	Frequency Range	VSWR
	1.0/2.4-KJ	DC-50GHz	≤ 1.25

Type: 1.0mm jack/female
 2.4mm plug/male



55	Model	Frequency Range	VSWR
	1.0/2.4-KK	DC-50GHz	≤ 1.25

Type: 1.0mm jack/female
 2.4mm jack/female



BETWEEN SERIES

1.0 \Rightarrow 2.92



- **Characteristic**

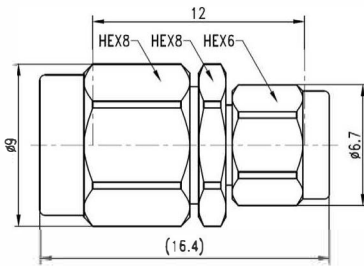
Impedance : 50 Ω
 Life Time: 1000 times
 Operating Range: -55 C ~+165 C
 Unit: mm

- **Material**

Body: stainless steel passivation
 Center pin: beryllium/gold plating
 Dielectric: PEI

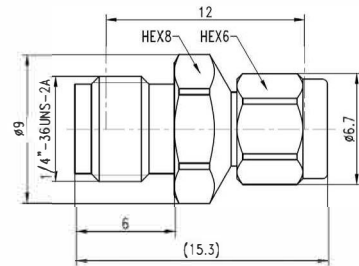
55A	Model	Frequency Range	VSWR
	1.0 /2.92-JJ	DC-40GHz	≤ 1.15

Type: 1.0mm plug/male
 2.92mm plug/male



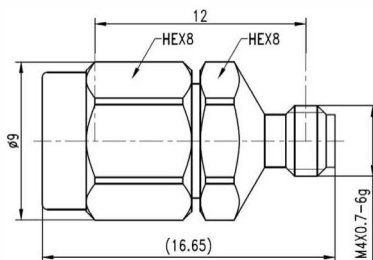
55B	Model	Frequency Range	VSWR
	1.0 /2.92-JK	DC-40GHz	≤ 1.15

Type: 1.0mm plug/male
 2.92mm jack/female



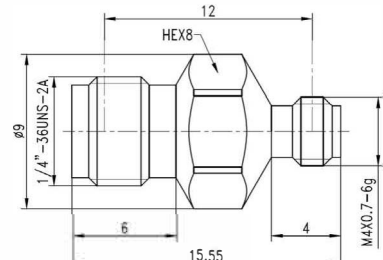
55C	Model	Frequency Range	VSWR
	1.0 /2.92-KJ	DC-40GHz	≤ 1.15

Type: 1.0mm jack/female
 2.92mm plug/male



55D	Model	Frequency Range	VSWR
	1.0 /2.92-KK	DC-40GHz	≤ 1.15

Type: 1.0mm jack/female
 2.92mm jack/female



BETWEEN SERIES

1.85 = 2.4

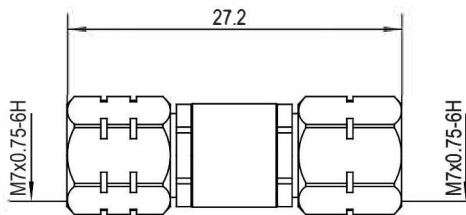


- **Characteristic**
 Impedance : 50Ω
 Life Time: 4000 times
 Operating Range: -55 C ~+165 C
 Unit: mm

- **Material**
 Body: stainless steel passivation
 Center pin: beryllium/gold plating
 Dielectric: PEI&PTFE

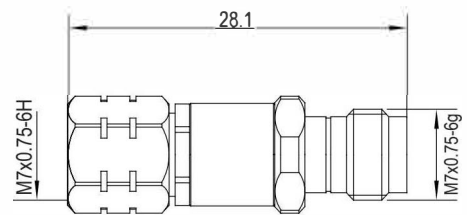
56	Model	Frequency Range	VSWR
	1.85/2.4-JJ	DC-50GHz	≤1.20

Type: 1.85mm plug/male
2.4mm plug/male



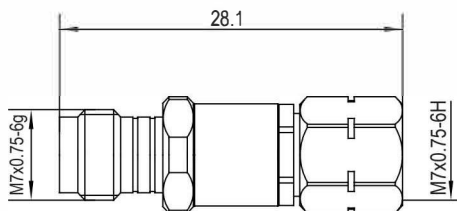
57	Model	Frequency Range	VSWR
	1.85/2.4-JK	DC-50GHz	≤1.20

Type: 1.85mm plug/male
2.4mm jack/female



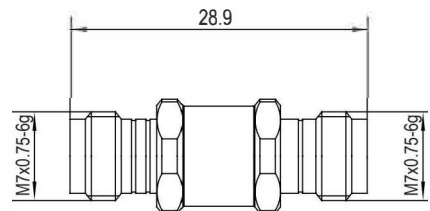
58	Model	Frequency Range	VSWR
	1.85/2.4-KJ	DC-50GHz	≤1.20

Type: 1.85mm jack/female
2.4mm plug/male



59	Model	Frequency Range	VSWR
	1.85/2.4-KK	DC-50GHz	≤1.20

Type: 1.85mm jack/female
2.4mm jack/female

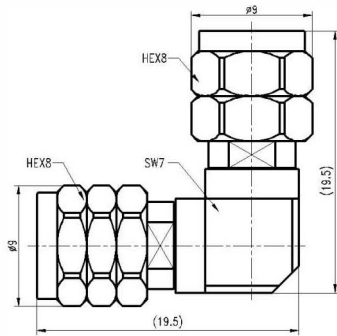


BETWEEN SERIES

1.85 = 2.4

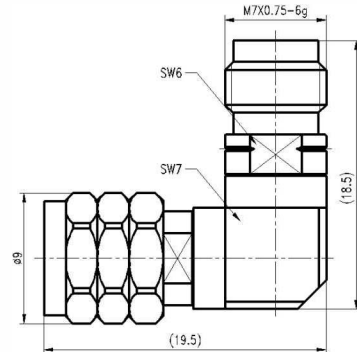
59A	Model	Frequency Range	VSWR
	1.85/2.4-JWJ	DC-50GHz	≤1.25

Type: 1.85mm plug/male
2.4mm plug/male



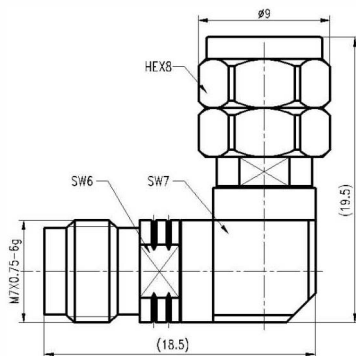
59B	Model	Frequency Range	VSWR
	1.85/2.4-JWK	DC-50GHz	≤1.25

Type: 1.85mm plug/male
2.4mm jack/female



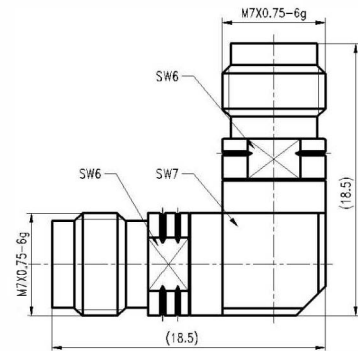
59C	Model	Frequency Range	VSWR
	1.85/2.4-KWJ	DC-50GHz	≤1.25

Type: 1.85mm jack/female
2.4mm plug/male



59D	Model	Frequency Range	VSWR
	1.85/2.4-KWK	DC-50GHz	≤1.25

Type: 1.85mm jack/female
2.4mm jack/female



BETWEEN SERIES

1.85 = 2.92



- **Characteristic**

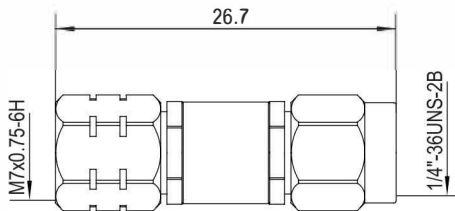
Impedance : 50Ω
 Life Time: 4000 times
 Operating Range: -55 C ~+165 C
 Unit: mm

- **Material**

Body: stainless steel passivation
 Center pin: beryllium/gold plating
 Dielectric: PEI

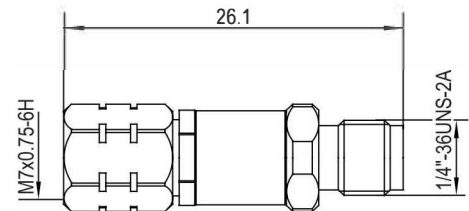
60	Model	Frequency Range	VSWR
	1.85/2.92-JJ	DC-40GHz	≤1.20

Type: 1.85mm plug/male
 2.92mm plug/male



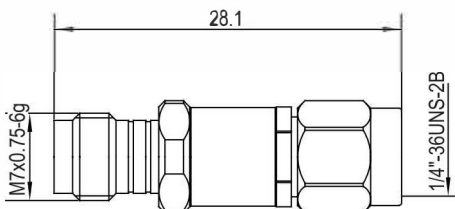
61	Model	Frequency Range	VSWR
	1.85/2.92-JK	DC-40GHz	≤1.20

Type: 1.85mm plug/male
 2.92mm jack/female



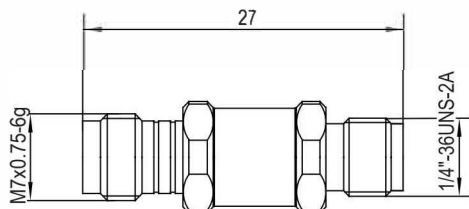
62	Model	Frequency Range	VSWR
	1.85/2.92-KJ	DC-40GHz	≤1.20

Type: 1.85mm jack/female
 2.92mm plug/male



63	Model	Frequency Range	VSWR
	1.85/2.92-KK	DC-40GHz	≤1.20

Type: 1.85mm jack/female
 2.92mm jack/female



BETWEEN SERIES

1.85 = 3.5

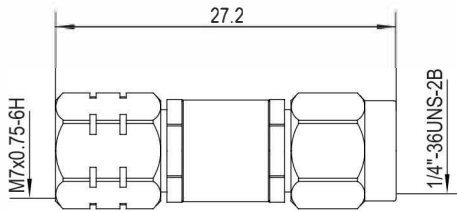


- **Characteristic**
 Impedance : 50Ω
 Life Time: 4000 times
 Operating Range: -55 C ~+165 C
 Unit: mm

- **Material**
 Body: stainless steel passivation
 Center pin: beryllium/gold plating
 Dielectric: PEI

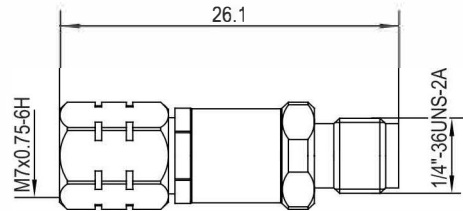
64	Model	Frequency Range	VSWR
	1.85/3.5-JJ	DC-26.5GHz	≤1.15

Type: 1.85mm plug/male
3.5mm plug/male



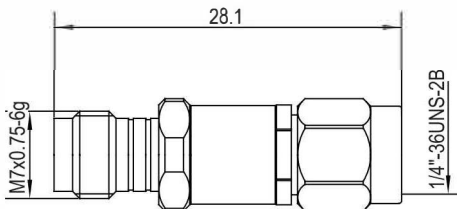
65	Model	Frequency Range	VSWR
	1.85/3.5-JK	DC-26.5GHz	≤1.15

Type: 1.85mm plug/male
3.5mm jack/female



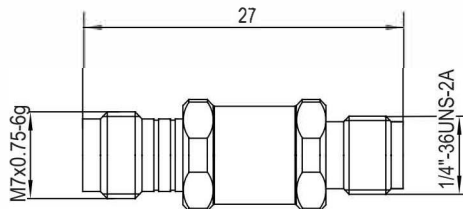
66	Model	Frequency Range	VSWR
	1.85/3.5-KJ	DC-26.5GHz	≤1.15

Type: 1.85mm jack/female
3.5mm plug/male



67	Model	Frequency Range	VSWR
	1.85/3.5-KK	DC-26.5GHz	≤1.15

Type: 1.85mm jack/female
3.5mm jack/female



BETWEEN SERIES

1.85 = SMA

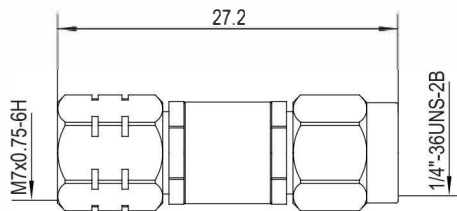


- **Characteristic**
 Impedance : 50Ω
 Life Time: 4000 times
 Operating Range: -55 C ~+165 C
 Unit: mm

- **Material**
 Body: stainless steel passivation
 Center pin: beryllium/gold plating
 Dielectric: PEI&PTFE

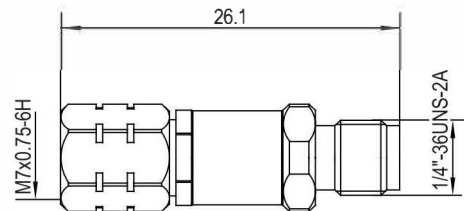
68	Model	Frequency Range	VSWR
	1.85/SMA-JJ	DC-18GHz	≤1.20

Type: 1.85mm SMA plug/male plug/male



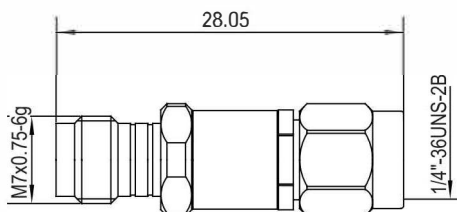
69	Model	Frequency Range	VSWR
	1.85/SMA-JK	DC-18GHz	≤1.20

Type: 1.85mm SMA plug/male jack/female



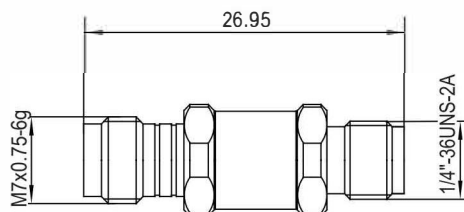
70	Model	Frequency Range	VSWR
	1.85/SMA-KJ	DC-18GHz	≤1.20

Type: 1.85mm SMA jack/female plug/male



71	Model	Frequency Range	VSWR
	1.85/SMA-KK	DC-18GHz	≤1.20

Type: 1.85mm SMA jack/female jack/female



BETWEEN SERIES

2.4 ⇌ 2.92



- **Characteristic**

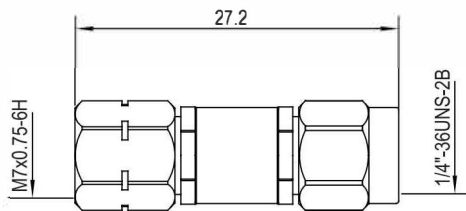
Impedance : 50Ω
 Life Time: 5000 times
 Operating Range: -55 C ~+165 C
 Unit: mm

- **Material**

Body: stainless steel passivation
 Center pin: beryllium/gold plating
 Dielectric: PEI&PTFE

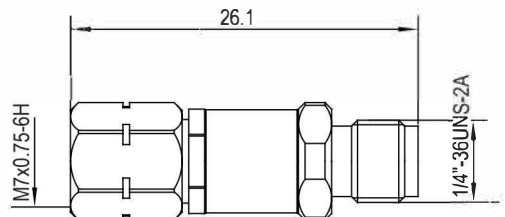
80	Model	Frequency Range	VSWR
	2.4/2.92-JJ	DC-40GHz	≤1.20

Type: 2.4mm plug/male
 2.92mm plug/male



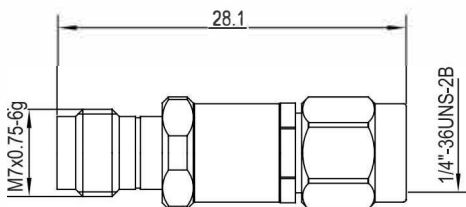
81	Model	Frequency Range	VSWR
	2.4/2.92-JK	DC-40GHz	≤1.15

Type: 2.4mm plug/male
 2.92mm jack/female



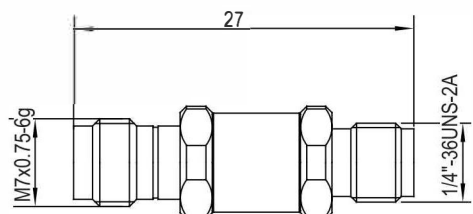
82	Model	Frequency Range	VSWR
	2.4/2.92-KJ	DC-40GHz	≤1.20

Type: 2.4mm jack/female
 2.92mm plug/male



83	Model	Frequency Range	VSWR
	2.4/2.92-KK	DC-40GHz	≤1.20

Type: 2.4mm jack/female
 2.92mm jack/female

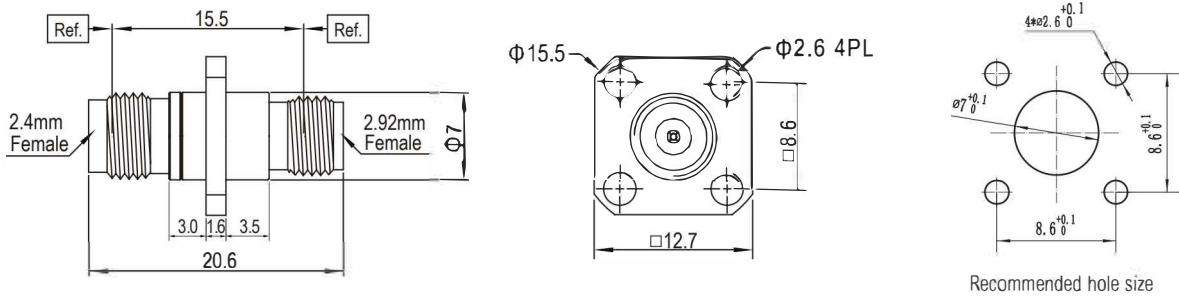


BETWEEN SERIES

2.4 \approx 2.92

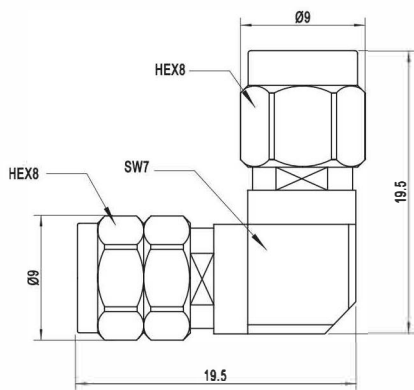
84	Model	Frequency Range	VSWR
	2.4/2.92-KFK	DC-40GHz	≤ 1.20

Type: 2.4mm jack/female
2.92mm jack/female



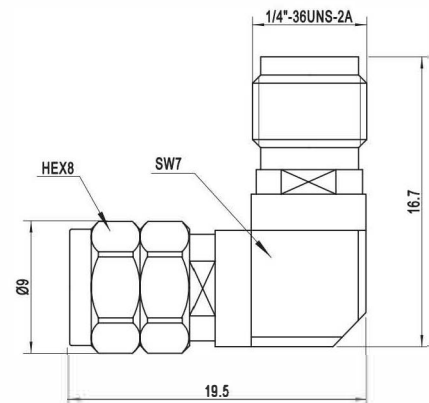
84A	Model	Frequency Range	VSWR
	2.4/2.92-JWJ	DC-40GHz	≤ 1.25

Type: 2.4mm plug/male
2.92mm plug/male



84B	Model	Frequency Range	VSWR
	2.4/2.92-JWK	DC-40GHz	≤ 1.25

Type: 2.4mm plug/male
2.92mm jack/female

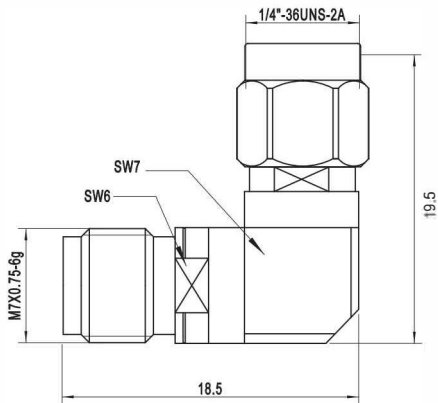


BETWEEN SERIES

2.4 \approx 2.92

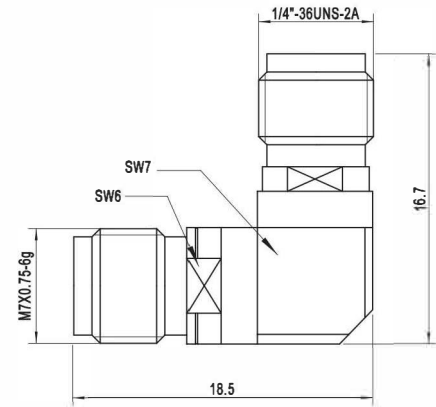
84C	Model	Frequency Range	VSWR
	2.4/2.92-KWJ	DC-40GHz	≤ 1.25

Type: 2.4mm jack/female
2.92mm plug/male



84D	Model	Frequency Range	VSWR
	2.4/2.92-KWK	DC-40GHz	≤ 1.25

Type: 2.4mm jack/female
2.92mm jack/female



BETWEEN SERIES

2.4 ⇌ 3.5



- **Characteristic**

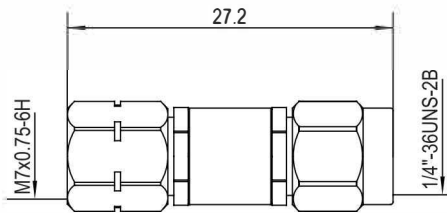
Impedance : 50Ω
 Life Time: 5000 times
 Operating Range: -55 C ~+165 C
 Unit: mm

- **Material**

Body: stainless steel passivation
 Center pin: beryllium/gold plating
 Dielectric: PEI

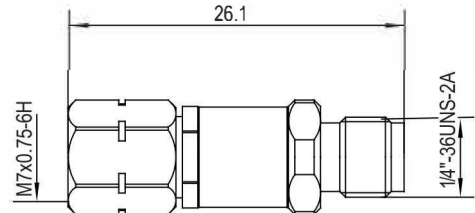
85	Model	Frequency Range	VSWR
	2.4/3.5-JJ	DC-26.5GHz	≤1.15

Type: 2.4mm plug/male
 3.5mm plug/male



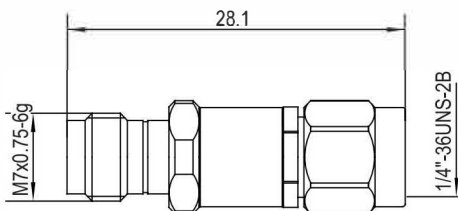
86	Model	Frequency Range	VSWR
	2.4/3.5-JK	DC-26.5GHz	≤1.15

Type: 2.4mm plug/male
 3.5mm jack/female



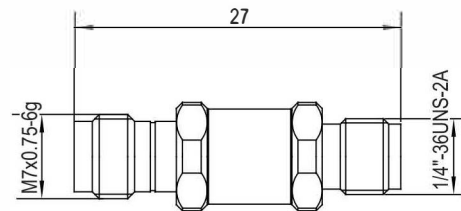
87	Model	Frequency Range	VSWR
	2.4/3.5-KJ	DC-26.5GHz	≤1.15

Type: 2.4mm jack/female
 3.5mm plug/male



88	Model	Frequency Range	VSWR
	2.4/3.5-KK	DC-26.5GHz	≤1.15

Type: 2.4mm jack/female
 3.5mm jack/female



BETWEEN SERIES

2.4 ≅ SMA



- **Characteristic**

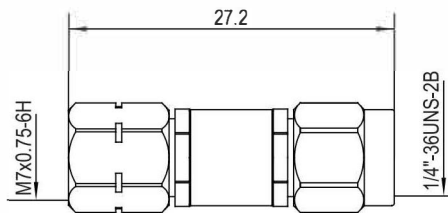
Impedance : 50Ω
 Life Time: 5000 times
 Operating Range: -55 C ~+165 C
 Unit: mm

- **Material**

Body: stainless steel passivation
 Center pin: beryllium/gold plating
 Dielectric: PEI&PTFE

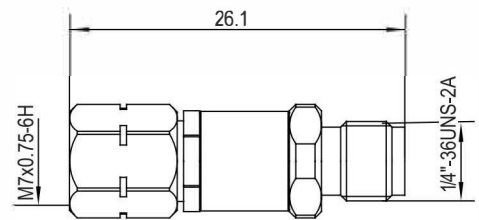
89	Model	Frequency Range	VSWR
	2.4/SMA-JJ	DC-27GHz	≤1.20

Type: 2.4mm SMA plug/male plug/male



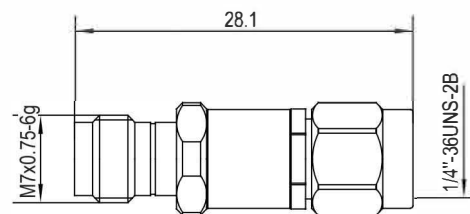
90	Model	Frequency Range	VSWR
	2.4/SMA-JK	DC-27GHz	≤1.15

Type: 2.4mm SMA plug/male jack/female



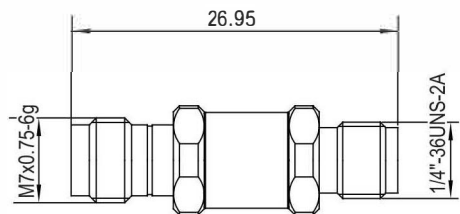
91	Model	Frequency Range	VSWR
	2.4/SMA-KJ	DC-27GHz	≤1.20

Type: 2.4mm SMA jack/female plug/male



92	Model	Frequency Range	VSWR
	2.4/SMA-KK	DC-27GHz	≤1.15

Type: 2.4mm SMA jack/female jack/female



BETWEEN SERIES

2.4 ≡ SSMA



- **Characteristic**

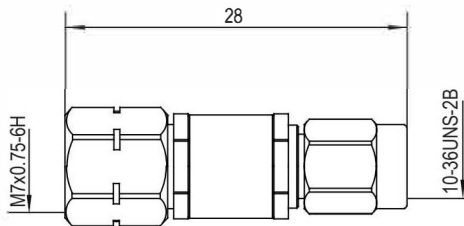
Impedance : 50Ω
 Life Time: 5000 times
 Operating Range: -55 C ~+165 C
 Unit: mm

- **Material**

Body: stainless steel passivation
 Center pin: beryllium/gold plating
 Dielectric: PEI

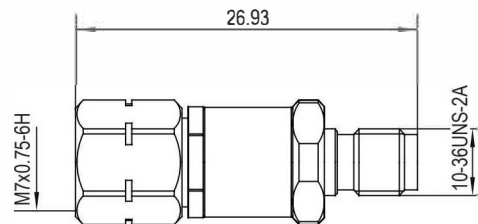
93	Model	Frequency Range	VSWR
	2.4/SSMA-JJ	DC-40GHz	≤1.20

Type: 2.4mm SSMA plug/male plug/male



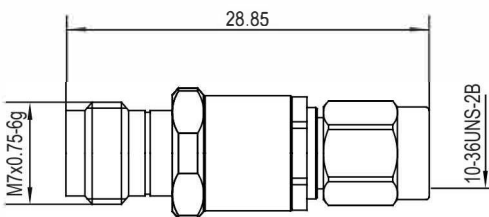
94	Model	Frequency Range	VSWR
	2.4/SSMA-JK	DC-40GHz	≤1.20

Type: 2.4mm SSMA plug/male jack/female



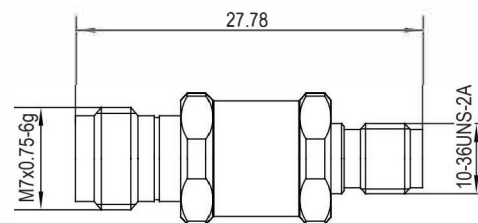
95	Model	Frequency Range	VSWR
	2.4/SSMA-KJ	DC-40GHz	≤1.20

Type: 2.4mm SSMA jack/female plug/male



96	Model	Frequency Range	VSWR
	2.4/SSMA-KK	DC-40GHz	≤1.20

Type: 2.4mm SSMA jack/female jack/female



BETWEEN SERIES

2.4 ⇒ SMP



• Characteristic

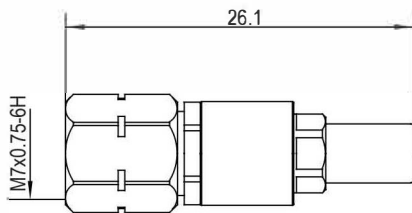
Impedance : 50Ω
 Life Time: 2000 times
 Operating Range: -55 C ~+165 C
 Unit: mm

• Material

Body:
 2.4mm → stainless steel passivation
 SMP-male → stainless steel passivation
 SMP-female → beryllium copper gold plated
 Center pin: beryllium/gold plating
 Dielectric: PEI & PTFE

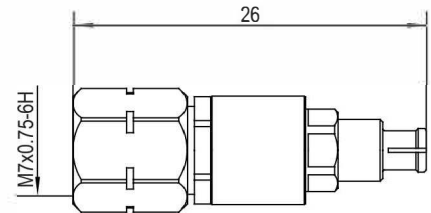
97	Model	Frequency Range	VSWR
	2.4/SMP-JJ	DC-40GHz	≤1.25

Type: 2.4mm SMP plug/male plug/male



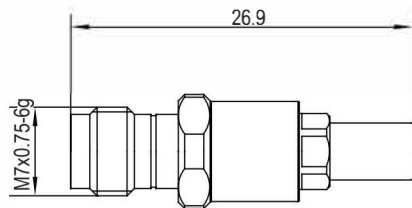
98	Model	Frequency Range	VSWR
	2.4/SMP-JK	DC-40GHz	≤1.25

Type: 2.4mm SMP plug/male jack/female



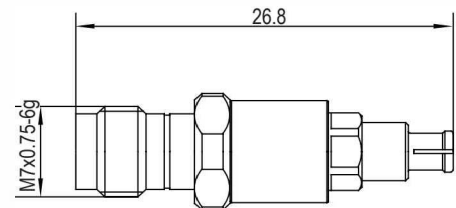
99	Model	Frequency Range	VSWR
	2.4/SMP-KJ	DC-40GHz	≤1.25

Type: 2.4mm SMP jack/female plug/male



100	Model	Frequency Range	VSWR
	2.4/SMP-KK	DC-40GHz	≤1.30

Type: 2.4mm SMP jack/female jack/female



BETWEEN SERIES

2.4 ⇒ SSMP



• Characteristic

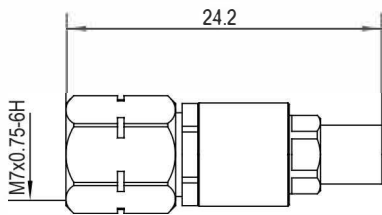
Impedance : 50Ω
 Life Time: 2000 times
 Operating Range: -55 C ~+165 C
 Unit: mm

• Material

Body: 2.4mm → stainless steel passivation
 SSMP-male → stainless steel passivation
 SSMP-female → beryllium copper gold plated
 Center pin: beryllium/gold plating
 Dielectric: PEI & PTFE

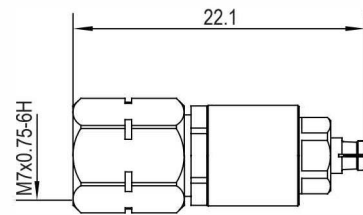
101	Model	Frequency Range	VSWR
	2.4/SSMP-JJ	DC-40GHz	≤1.25

Type: 2.4mm SSMP plug/male plug/male



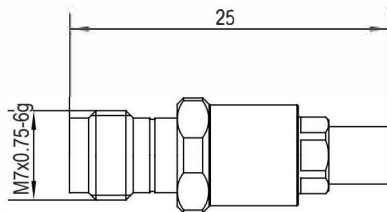
102	Model	Frequency Range	VSWR
	2.4/SSMP-JK	DC-40GHz	≤1.25

Type: 2.4mm SSMP plug/male jack/female



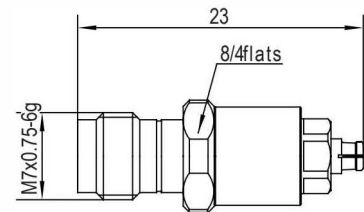
103	Model	Frequency Range	VSWR
	2.4/SSMP-KJ	DC-40GHz	≤1.30

Type: 2.4mm SSMP jack/female plug/male



104	Model	Frequency Range	VSWR
	2.4/SSMP-KK	DC-40GHz	≤1.30

Type: 2.4mm SSMP jack/female jack/female



BETWEEN SERIES

2.4 ⇒ N



• **Characteristic**

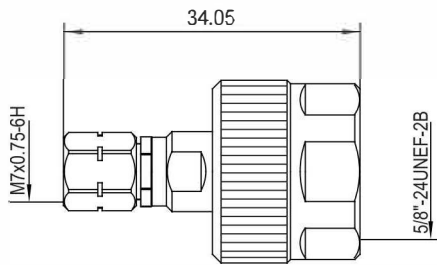
Impedance : 50Ω
 Life Time: 8000 times
 Operating Range: -55 C ~+165 C
 Unit: mm

• **Material**

Body: stainless steel passivation
 Center pin: beryllium/gold plating
 Dielectric: PEI

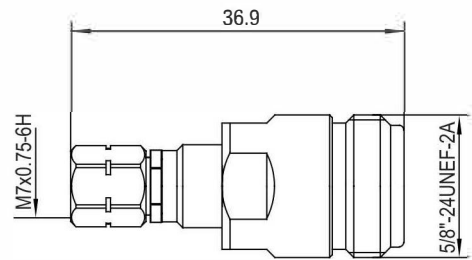
105	Model	Frequency Range	VSWR
	2.4/N-JJ	DC-18GHz	≤1.15

Type: 2.4mm N plug/male plug/male



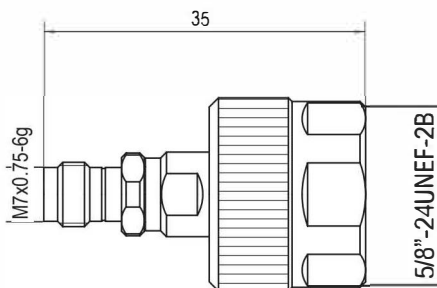
106	Model	Frequency Range	VSWR
	2.4/N-JK	DC-18GHz	≤1.15

Type: 2.4mm N plug/male jack/female



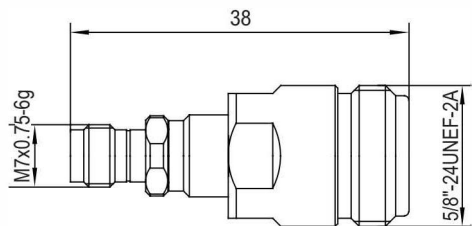
107	Model	Frequency Range	VSWR
	2.4/N-KJ	DC-18GHz	≤1.15

Type: 2.4mm N jack/female plug/male



108	Model	Frequency Range	VSWR
	2.4/N-KK	DC-18GHz	≤1.15

Type: 2.4mm N jack/female jack/female



BETWEEN SERIES

2.92 = 3.5



• **Characteristic**

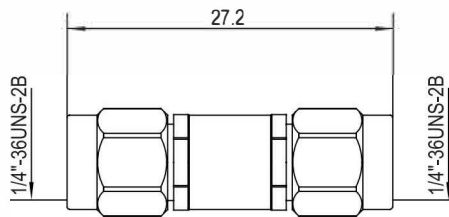
Impedance : 50Ω
 Life Time: 5000 times
 Operating Range: -55 C ~+165 C
 Unit: mm

• **Material**

Body: stainless steel passivation
 Center pin: beryllium/gold plating
 Dielectric: PEI

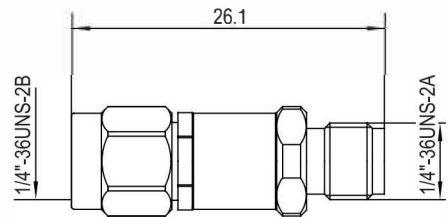
109	Model	Frequency Range	VSWR
	2.92/3.5-JJ	DC-26.5GHz	≤1.15

Type: 2.92mm plug/male
 3.5mm plug/male



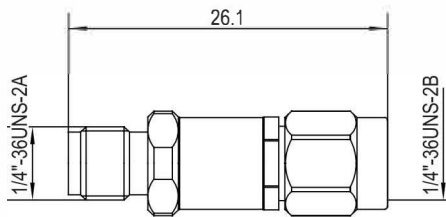
110	Model	Frequency Range	VSWR
	2.92/3.5-JK	DC-26.5GHz	≤1.15

Type: 2.92mm plug/male
 3.5mm jack/female



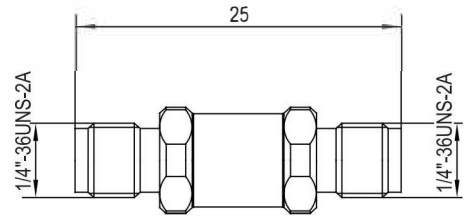
111	Model	Frequency Range	VSWR
	2.92/3.5-KJ	DC-26.5GHz	≤1.12

Type: 2.92mm jack/female
 3.5mm plug/male



112	Model	Frequency Range	VSWR
	2.92/3.5-KK	DC-26.5GHz	≤1.15

Type: 2.92mm jack/female
 3.5mm jack/female



BETWEEN SERIES

2.92 = SMP



- **Characteristic**

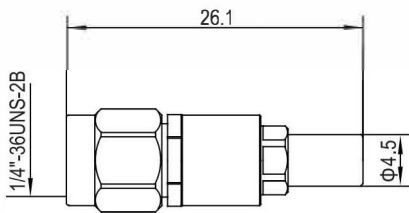
Impedance : 50Ω
 Life Time: 2000 times
 Operating Range: -55 C ~+165 C
 Unit: mm

- **Material**

Body:
 2.92mm → stainless steel passivation
 SMP-male → stainless steel passivation
 SMP-female → beryllium copper gold plated
Center pin: beryllium/gold plating
Dielectric: PEI & PTFE

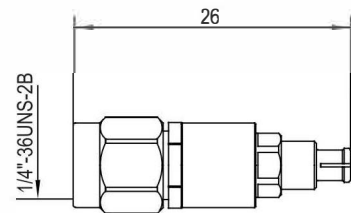
113	Model	Frequency Range	VSWR
	2.92/SMP-JJ	DC-40GHz	≤1.25

Type: 2.92mm SMP plug/male plug/male



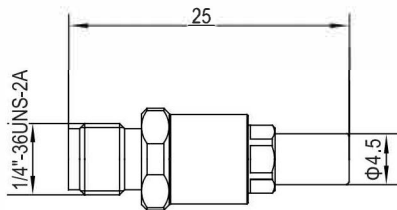
114	Model	Frequency Range	VSWR
	2.92/SMP-JK	DC-40GHz	≤1.25

Type: 2.92mm SMP plug/male jack/female



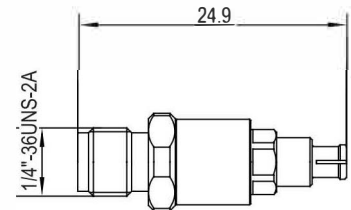
115	Model	Frequency Range	VSWR
	2.92/SMP-KJ	DC-40GHz	≤1.30

Type: 2.92mm SMP jack/female plug/male



116	Model	Frequency Range	VSWR
	2.92/SMP-KK	DC-40GHz	≤1.25

Type: 2.92mm SMP jack/female jack/female



BETWEEN SERIES

2.92 = SSMP



- **Characteristic**

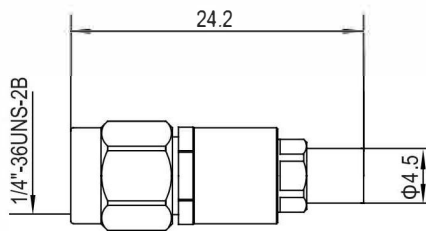
Impedance : 50Ω
 Life Time: 2000 times
 Operating Range: -55 C ~+165 C
 Unit: mm

- **Material**

Body:
 2.92mm → stainless steel passivation
 SSMP-male → stainless steel passivation
 SSMP-female → beryllium copper gold plated
 Center pin: beryllium/gold plating
 Dielectric: PEI & PTFE

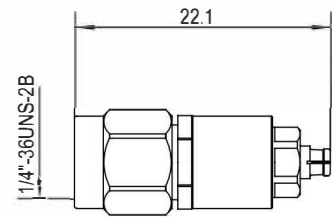
117	Model	Frequency Range	VSWR
	2.92/SSMP-JJ	DC-40GHz	≤1.25

Type: 2.92mm SSMP plug/male plug/male



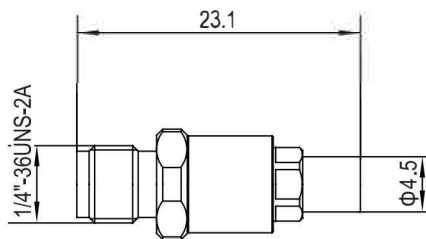
118	Model	Frequency Range	VSWR
	2.92/SSMP-JK	DC-40GHz	≤1.25

Type: 2.92mm SSMP plug/male jack/female



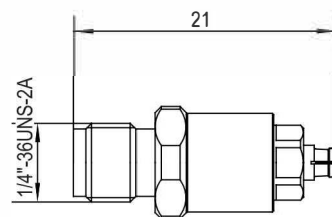
119	Model	Frequency Range	VSWR
	2.92/SSMP-KJ	DC-40GHz	≤1.25

Type: 2.92mm SSMP jack/female plug/male



120	Model	Frequency Range	VSWR
	2.92/SSMP-KK	DC-40GHz	≤1.25

Type: 2.92mm SSMP jack/female jack/female



BETWEEN SERIES

2.92 = SMA



- **Characteristic**

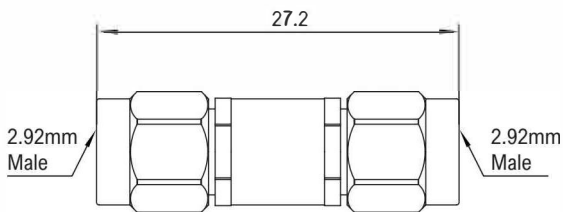
Impedance : 50Ω
 Life Time: 6000 times
 Operating Range: -55 C ~+165 C
 Unit: mm

- **Material**

Body: stainless steel passivation
 Center pin: beryllium/gold plating
 Dielectric: PEI&PTFE

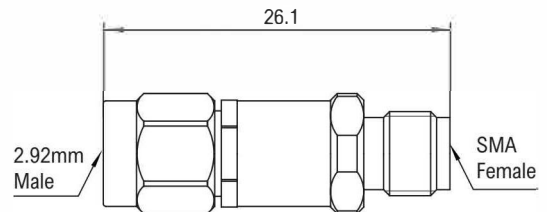
121	Model	Frequency Range	VSWR
	2.92/SMA-JJ	DC-27GHz	≤1.15

Type: 2.92mm SMA plug/male plug/male



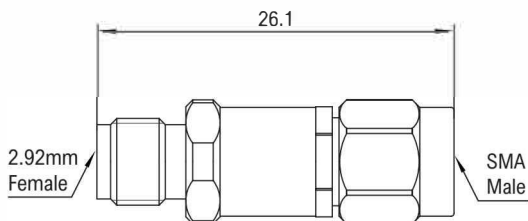
122	Model	Frequency Range	VSWR
	2.92/SMA-JK	DC-27GHz	≤1.20

Type: 2.92mm SMA plug/male jack/female



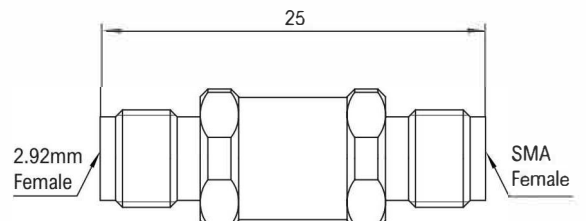
123	Model	Frequency Range	VSWR
	2.92/SMA-KJ	DC-27GHz	≤1.15

Type: 2.92mm SMA jack/female plug/male



124	Model	Frequency Range	VSWR
	2.92/SMA-KK	DC-27GHz	≤1.15

Type: 2.92mm SMA jack/female jack/female



BETWEEN SERIES

2.92 = SSMA



- **Characteristic**

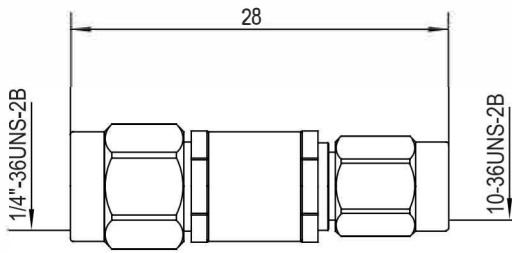
Impedance : 50Ω
 Life Time: 5000 times
 Operating Range: -55 C ~+165 C
 Unit: mm

- **Material**

Body: stainless steel passivation
 Center pin: beryllium/gold plating
 Dielectric: PEI

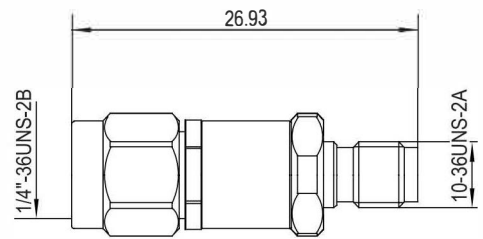
125	Model	Frequency Range	VSWR
	2.92/SSMA-JJ	DC-40GHz	≤1.25

Type: 2.92mm SSMA plug/male plug/male



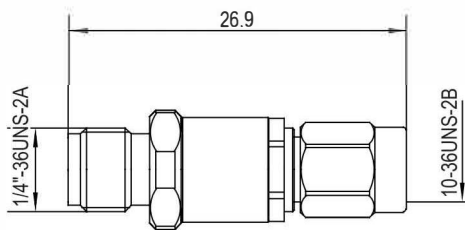
126	Model	Frequency Range	VSWR
	2.92/SSMA-JK	DC-40GHz	≤1.25

Type: 2.92mm SSMA plug/male jack/female



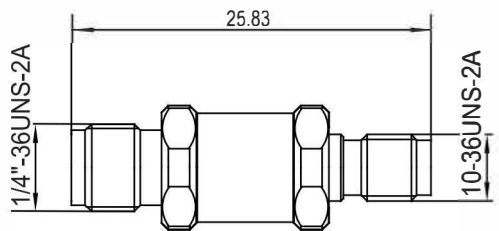
127	Model	Frequency Range	VSWR
	2.92/SSMA-KJ	DC-40GHz	≤1.25

Type: 2.92mm SSMA jack/female plug/male



128	Model	Frequency Range	VSWR
	2.92/SSMA-KK	DC-40GHz	≤1.25

Type: 2.92mm SSMA jack/female jack/female



BETWEEN SERIES

2.92 = N



• **Characteristic**

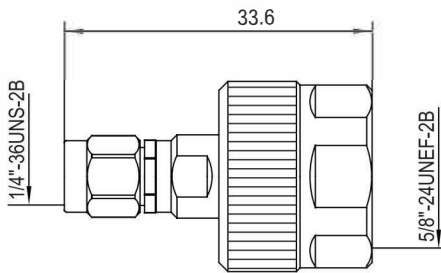
Impedance : 50Ω
 Life Time: 4000 times
 Operating Range: -55 C ~+165 C
 Unit: mm

• **Material**

Body: stainless steel passivation
 Center pin: beryllium/gold plating
 Dielectric: PEI

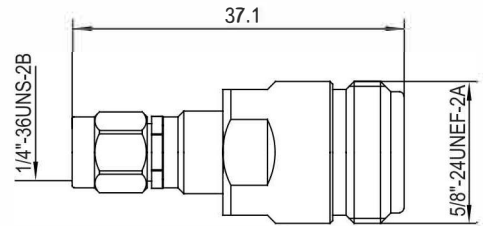
129	Model	Frequency Range	VSWR
	2.92/N-JJ	DC-18GHz	≤1.15

Type: 2.92mm N plug/male plug/male



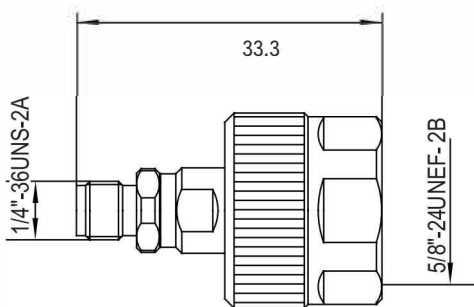
130	Model	Frequency Range	VSWR
	2.92/N-JK	DC-18GHz	≤1.15

Type: 2.92mm N plug/male jack/female



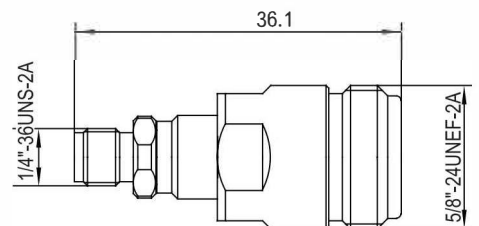
131	Model	Frequency Range	VSWR
	2.92/N-KJ	DC-18GHz	≤1.15

Type: 2.92mm N jack/female plug/male



132	Model	Frequency Range	VSWR
	2.92/N-KK	DC-18GHz	≤1.15

Type: 2.92mm N jack/female jack/female



BETWEEN SERIES

SSMA \approx SMP



- **Characteristic**

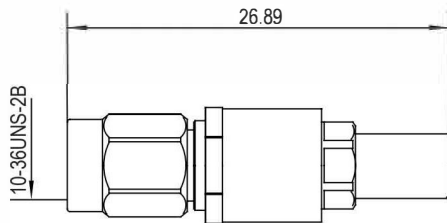
Impedance : 50 Ω
 Life Time: 2000 times
 Operating Range: -55 C ~+165 C
 Unit: mm

- **Material**

Body:
 SSMA \rightarrow stainless steel passivation
 SMP-male \rightarrow stainless steel passivation
 SMP-female \rightarrow beryllium copper gold plated
 Center pin: beryllium/gold plating
 Dielectric: PEI & PTFE

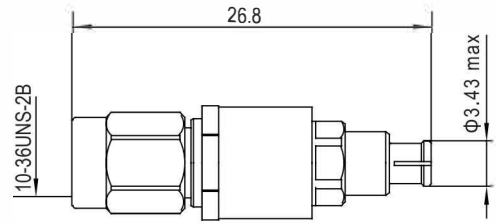
133	Model	Frequency Range	VSWR
	SSMA/SMP-JJ	DC-40GHz	≤ 1.25

Type: SSMA plug/male
 SMP plug/male



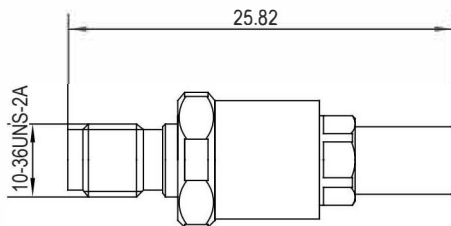
134	Model	Frequency Range	VSWR
	SSMA/SMP-JK	DC-40GHz	≤ 1.25

Type: SSMA plug/male
 SMP jack/female



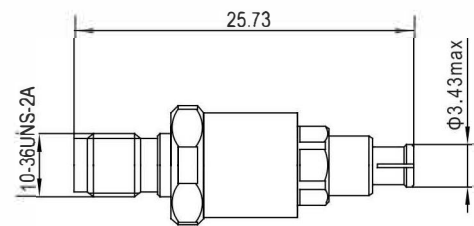
135	Model	Frequency Range	VSWR
	SSMA/SMP-KJ	DC-40GHz	≤ 1.30

Type: SSMA jack/female
 SMP plug/male



136	Model	Frequency Range	VSWR
	SSMA/SMP-KK	DC-40GHz	≤ 1.30

Type: SSMA jack/female
 SMP jack/female



BETWEEN SERIES

SSMA = SSMP



• **Characteristic**

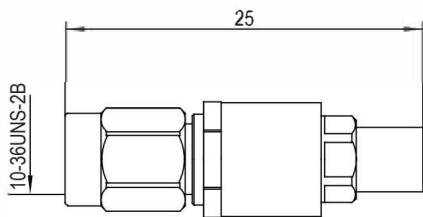
Impedance : 50Ω
 Life Time: 2000 times
 Operating Range: -55 C ~+165 C
 Unit: mm

• **Material**

Body:
 SSMA → stainless steel passivation
 SSMP-male → stainless steel passivation
 SSMP-female → beryllium copper gold plated
Center pin: beryllium/gold plating
Dielectric: PEI & PTFE

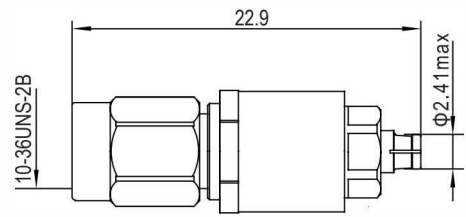
137	Model	Frequency Range	VSWR
	SSMA/SSMP-JJ	DC-40GHz	≤1.25

Type: SSMA plug/male
 SSMP plug/male



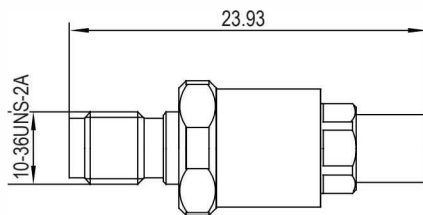
138	Model	Frequency Range	VSWR
	SSMA/SSMP-JK	DC-40GHz	≤1.25

Type: SSMA plug/male
 SSMP jack/female



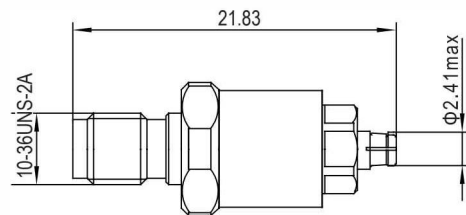
139	Model	Frequency Range	VSWR
	SSMA/SSMP-KJ	DC-40GHz	≤1.25

Type: SSMA jack/female
 SSMP plug/male



140	Model	Frequency Range	VSWR
	SSMA/SSMP-KK	DC-40GHz	≤1.25

Type: SSMA jack/female
 SSMP jack/female



BETWEEN SERIES

SSMA = N



- **Characteristic**

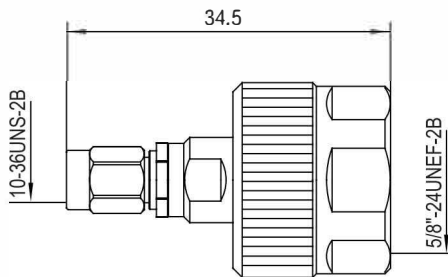
Impedance : 50Ω
 Life Time: 10000 times
 Operating Range: -55 C ~+165 C
 Unit: mm

- **Material**

Body: stainless steel passivation
 Center pin: beryllium/gold plating
 Dielectric: PEI

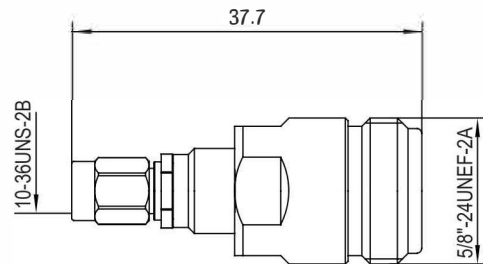
141	Model	Frequency Range	VSWR
	SSMA/N-JJ	DC-18GHz	≤1.15

Type: SSMA N plug/male plug/male



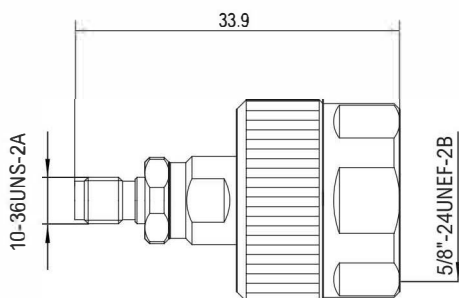
142	Model	Frequency Range	VSWR
	SSMA/N-JK	DC-18GHz	≤1.15

Type: SSMA N plug/male jack/female



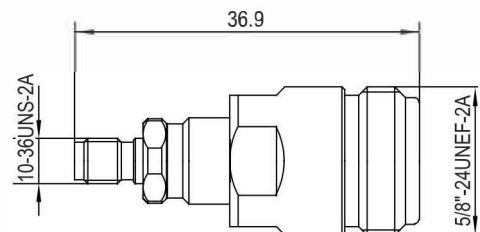
143	Model	Frequency Range	VSWR
	SSMA/N-KJ	DC-18GHz	≤1.15

Type: SSMA N jack/female plug/male



144	Model	Frequency Range	VSWR
	SSMA/N-KK	DC-18GHz	≤1.15

Type: SSMA N jack/female jack/female



BETWEEN SERIES

3.5 ⇒ BMA



- **Characteristic**

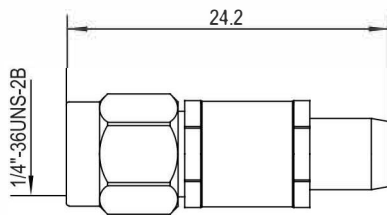
Impedance : 50Ω
 Life Time: 5000 times
 Operating Range: -55 C ~+165 C
 Unit: mm

- **Material**

Body: stainless steel passivation
 Center pin: beryllium/gold plating
 Dielectric: PEI

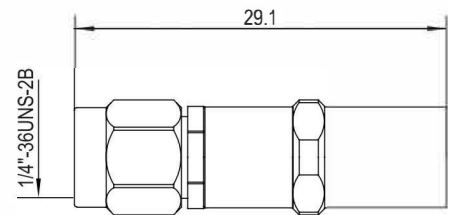
145	Model	Frequency Range	VSWR
	3.5/BMA-JJ	DC-18GHz	≤1.20

Type: 3.5mm BMA plug/male plug/male



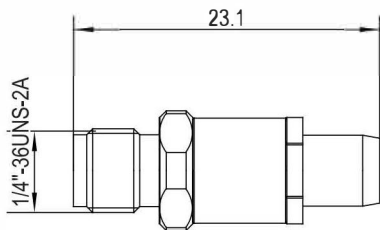
146	Model	Frequency Range	VSWR
	3.5/BMA-JK	DC-18GHz	≤1.15

Type: 3.5mm BMA plug/male jack/female



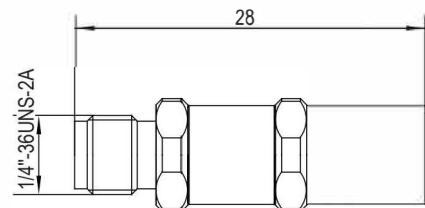
147	Model	Frequency Range	VSWR
	3.5/BMA-KJ	DC-18GHz	≤1.20

Type: 3.5mm BMA jack/female plug/male



148	Model	Frequency Range	VSWR
	3.5/BMA-KK	DC-18GHz	≤1.15

Type: 3.5mm BMA jack/female jack/female



BETWEEN SERIES

3.5 ⇌ SBMA



- **Characteristic**

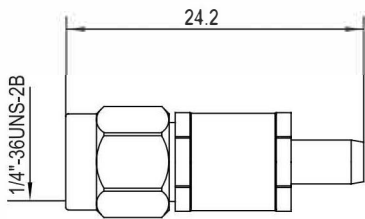
Impedance : 50Ω
 Life Time: 5000 times
 Operating Range: -55 C ~+165 C
 Unit: mm

- **Material**

Body: stainless steel passivation
 Center pin: beryllium/gold plating
 Dielectric: PEI

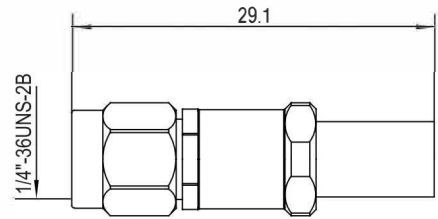
149	Model	Frequency Range	VSWR
	3.5/SBMA-JJ	DC-18GHz	≤1.20

Type: 3.5mm plug/male
 SBMA plug/male



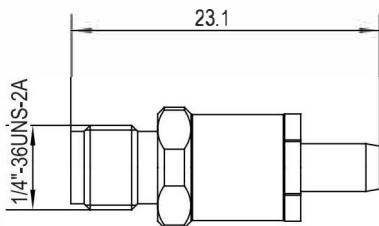
150	Model	Frequency Range	VSWR
	3.5/SBMA-JK	DC-18GHz	≤1.20

Type: 3.5mm plug/male
 SBMA jack/female



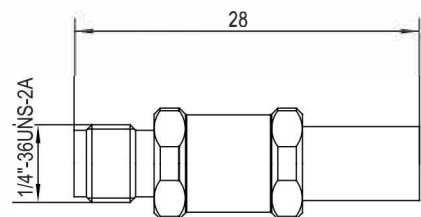
151	Model	Frequency Range	VSWR
	3.5/SBMA-KJ	DC-18GHz	≤1.20

Type: 3.5mm jack/female
 SBMA plug/male



152	Model	Frequency Range	VSWR
	3.5/SBMA-KK	DC-18GHz	≤1.20

Type: 3.5mm jack/female
 SBMA jack/female



BETWEEN SERIES

3.5 ⇒ SSMA



- **Characteristic**

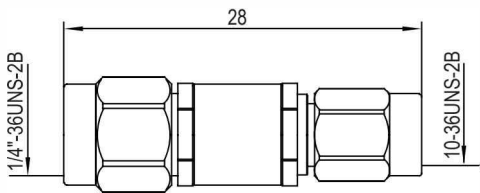
Impedance : 50Ω
 Life Time: 10000 times
 Operating Range: -55 C ~+165 C
 Unit: mm

- **Material**

Body: stainless steel passivation
 Center pin: beryllium/gold plating
 Dielectric: PEI

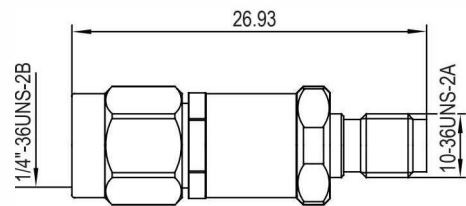
153	Model	Frequency Range	VSWR
	3.5/SSMA-JJ	DC-26.5GHz	≤1.20

Type: 3.5mm SSMA plug/male plug/male



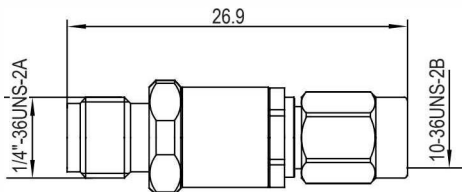
154	Model	Frequency Range	VSWR
	3.5/SSMA-JK	DC-26.5GHz	≤1.20

Type: 3.5mm SSMA plug/male jack/female



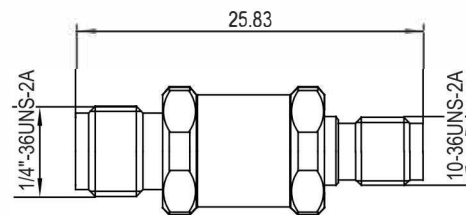
155	Model	Frequency Range	VSWR
	3.5/SSMA-KJ	DC-26.5GHz	≤1.20

Type: 3.5mm SSMA jack/female plug/male



156	Model	Frequency Range	VSWR
	3.5/SSMA-KK	DC-26.5GHz	≤1.20

Type: 3.5mm SSMA jack/female jack/female



BETWEEN SERIES

3.5 ⇒ SMP



- **Characteristic**

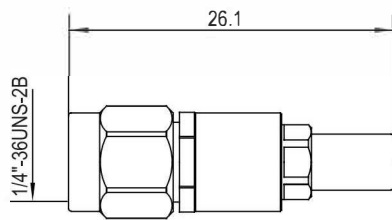
Impedance : 50Ω
 Life Time: 2000 times
 Operating Range: -55 C ~+165 C
 Unit: mm

- **Material**

Body:
 3.5mm → stainless steel passivation
 SMP-male → stainless steel passivation
 SMP-female → beryllium copper gold plated
 Center pin: beryllium/gold plating
 Dielectric: PEI & PTFE

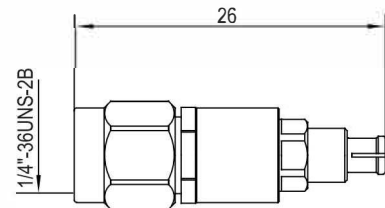
157	Model	Frequency Range	VSWR
	3.5/SMP-JJ	DC-26.5GHz	≤1.20

Type: 3.5mm SMP plug/male plug/male



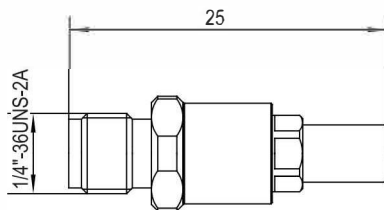
158	Model	Frequency Range	VSWR
	3.5/SMP-JK	DC-26.5GHz	≤1.20

Type: 3.5mm SMP plug/male jack/female



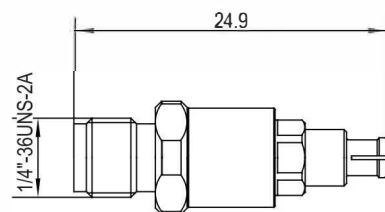
159	Model	Frequency Range	VSWR
	3.5/SMP-KJ	DC-26.5GHz	≤1.20

Type: 3.5mm SMP jack/female plug/male



160	Model	Frequency Range	VSWR
	3.5/SMP-KK	DC-26.5GHz	≤1.20

Type: 3.5mm SMP jack/female jack/female



BETWEEN SERIES

3.5 ⇌ N



• **Characteristic**

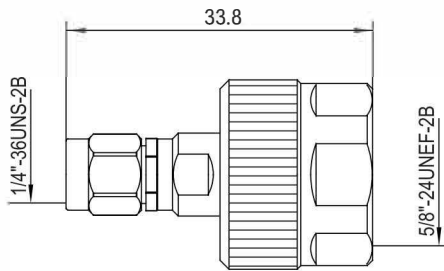
Impedance : 50Ω
 Life Time: 10000 times
 Operating Range: -55 C ~+165 C
 Unit: mm

• **Material**

Body: stainless steel passivation
 Center pin: beryllium/gold plating
 Dielectric: PEI

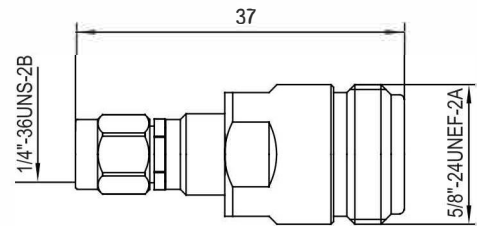
161	Model	Frequency Range	VSWR
	3.5/N-JJ	DC-18GHz	≤1.10

Type: 3.5mm N plug/male plug/male



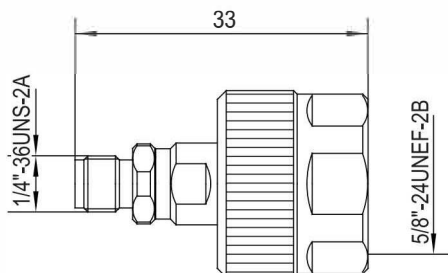
162	Model	Frequency Range	VSWR
	3.5/N-JK	DC-18GHz	≤1.10

Type: 3.5mm N plug/male jack/female



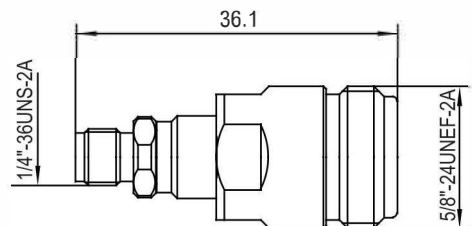
163	Model	Frequency Range	VSWR
	3.5/N-KJ	DC-18GHz	≤1.10

Type: 3.5mm N jack/female plug/male



164	Model	Frequency Range	VSWR
	3.5/N-KK	DC-18GHz	≤1.15

Type: 3.5mm N jack/female jack/female



BETWEEN SERIES

3.5 ⇒ SMA



- **Characteristic**

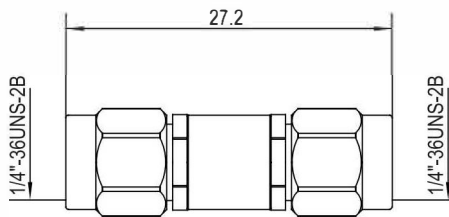
Impedance : 50Ω
 Life Time: 8000 times
 Operating Range: -55 C ~+165 C
 Unit: mm

- **Material**

Body: stainless steel passivation
 Center pin: beryllium/gold plating
 Dielectric: PEI&PTFE

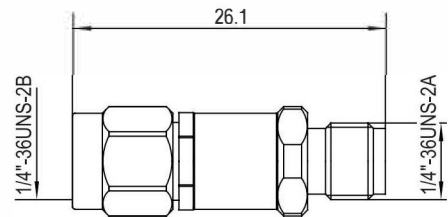
164A	Model	Frequency Range	VSWR
	3.5/SMA-JJ	DC-18GHz	≤1.15

Type: 3.5mm SMA plug/male plug/male



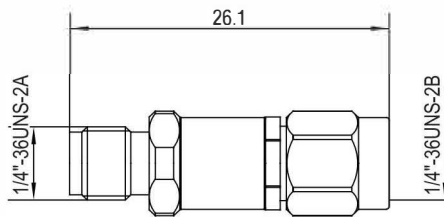
164B	Model	Frequency Range	VSWR
	3.5/SMA-JK	DC-18GHz	≤1.15

Type: 3.5mm SMA plug/male jack/female



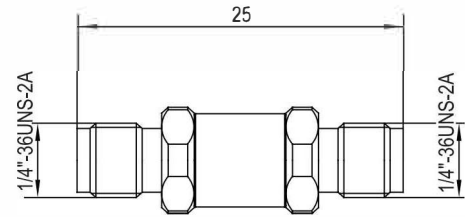
164C	Model	Frequency Range	VSWR
	3.5/SMA-KJ	DC-18GHz	≤1.15

Type: 3.5mm SMA jack/female plug/male



164D	Model	Frequency Range	VSWR
	3.5/SMA-KK	DC-18GHz	≤1.15

Type: 3.5mm SMA jack/female jack/female



BETWEEN SERIES

3.5 ⇒ TNCA



- **Characteristic**

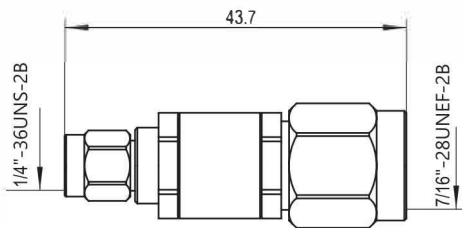
Impedance : 50Ω
 Life Time: 10000 times
 Operating Range: -55 C ~+165 C
 Unit: mm

- **Material**

Body: stainless steel passivation
 Center pin: beryllium/gold plating
 Dielectric: PEI & PTFE

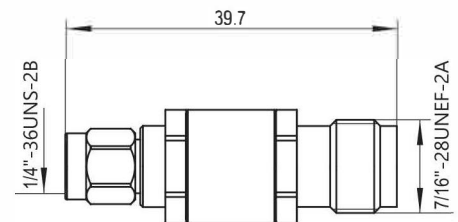
164E	Model	Frequency Range	VSWR
	3.5/TNCA-JJ	DC-18GHz	≤1.25

Type: 3.5mm TNCA plug/male plug/male



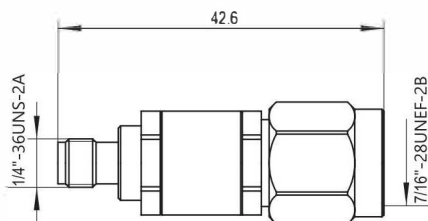
164F	Model	Frequency Range	VSWR
	3.5/TNCA-JK	DC-18GHz	≤1.25

Type: 3.5mm TNCA plug/male jack/female



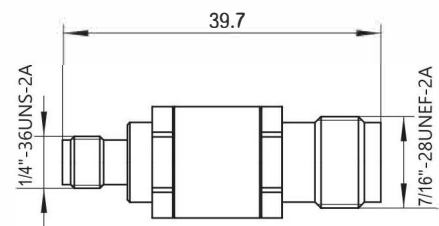
164G	Model	Frequency Range	VSWR
	3.5/TNCA-KJ	DC-18GHz	≤1.25

Type: 3.5mm TNCA jack/female plug/male



164H	Model	Frequency Range	VSWR
	3.5/TNCA-KK	DC-18GHz	≤1.25

Type: 3.5mm TNCA jack/female jack/female



BETWEEN SERIES

SMA = SSMA



• **Characteristic**

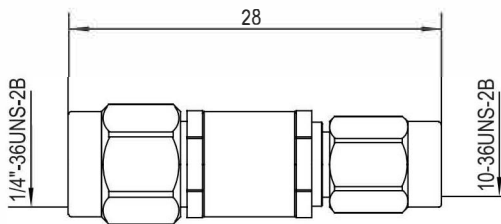
Impedance : 50Ω
 Life Time: 10000 times
 Operating Range: -55 C ~+165 C
 Unit: mm

• **Material**

Body: stainless steel passivation
 Center pin: beryllium/gold plating
 Dielectric: PEI&PTFE

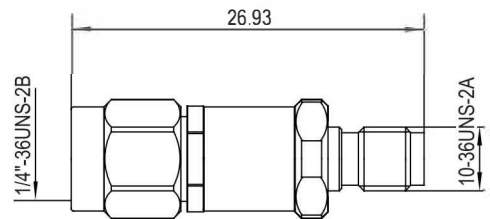
165	Model	Frequency Range	VSWR
	SMA/SSMA-JJ	DC-27GHz	≤1.20

Type: SMA plug/male
 SSMA plug/male



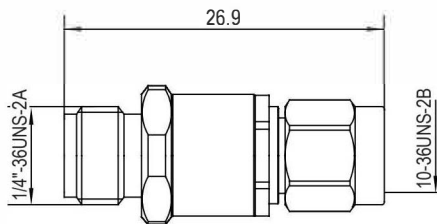
166	Model	Frequency Range	VSWR
	SMA/SSMA-JK	DC-27GHz	≤1.20

Type: SMA plug/male
 SSMA jack/female



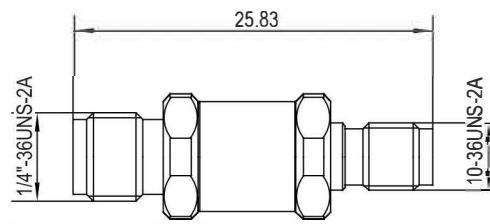
167	Model	Frequency Range	VSWR
	SMA/SSMA-KJ	DC-27GHz	≤1.20

Type: SMA jack/female
 SSMA plug/male



168	Model	Frequency Range	VSWR
	SMA/SSMA-KK	DC-27GHz	≤1.20

Type: SMA jack/female
 SSMA jack/female



BETWEEN SERIES

SMA ⇌ BNC



- **Characteristic**

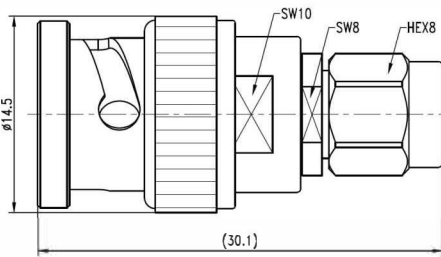
Impedance : 50Ω
 Life Time: 5000 times
 Operating Range: -55 C ~+125 C
 Unit: mm

- **Material**

Body: stainless steel passivation
 Center pin: beryllium/gold plating
 Dielectric: PTFE

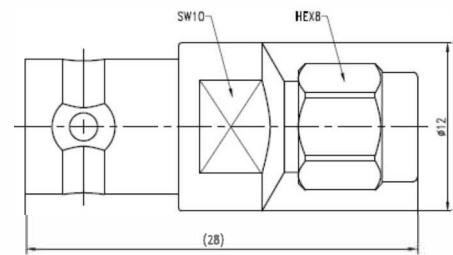
169	Model	Frequency Range	VSWR
	SMA/BNC-JJ	DC-6GHz	≤1.20

Type: SMA BNC plug/male plug/male



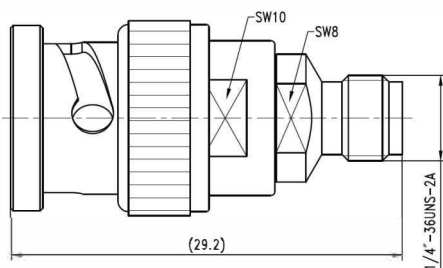
170	Model	Frequency Range	VSWR
	SMA/BNC-JK	DC-6GHz	≤1.20

Type: SMA BNC plug/male jack/female



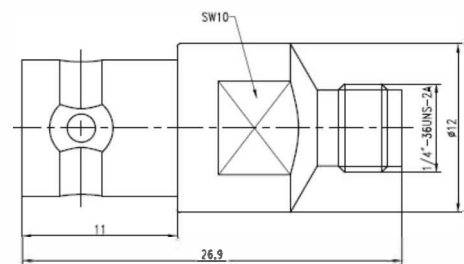
171	Model	Frequency Range	VSWR
	SMA/BNC-KJ	DC-6GHz	≤1.15

Type: SMA BNC jack/female plug/male



172	Model	Frequency Range	VSWR
	SMA/BNC-KK	DC-6GHz	≤1.20

Type: SMA BNC jack/female jack/female



BETWEEN SERIES

SMA \Rightarrow N



- **Characteristic**

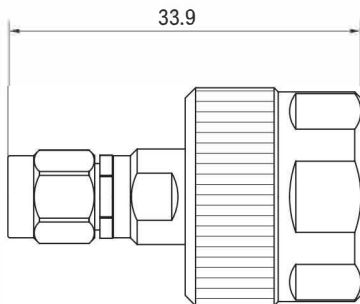
Impedance : 50 Ω
 Life Time: 10000 times
 Operating Range: -55 C ~+165 C
 Unit: mm

- **Material**

Body: stainless steel passivation
 Center pin: beryllium/gold plating
 Dielectric: PEI&PTFE

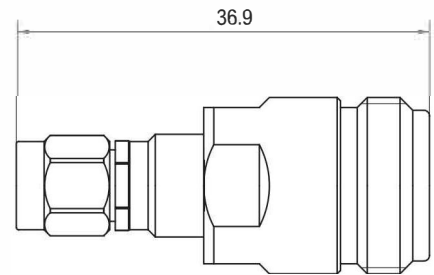
173	Model	Frequency Range	VSWR
	SMA/N-JJ	DC-18GHz	≤ 1.15

Type: SMA N plug/male plug/male



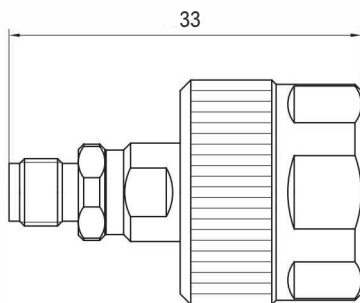
174	Model	Frequency Range	VSWR
	SMA/N-JK	DC-18GHz	≤ 1.15

Type: SMA N plug/male jack/female



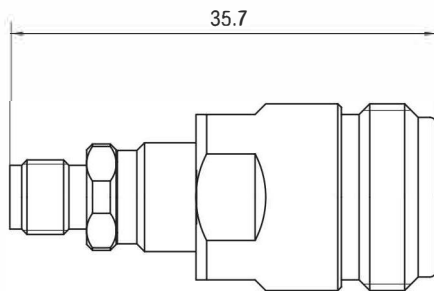
175	Model	Frequency Range	VSWR
	SMA/N-KJ	DC-18GHz	≤ 1.15

Type: SMA N jack/female plug/male



176	Model	Frequency Range	VSWR
	SMA/N-KK	DC-18GHz	≤ 1.15

Type: SMA N jack/female jack/female

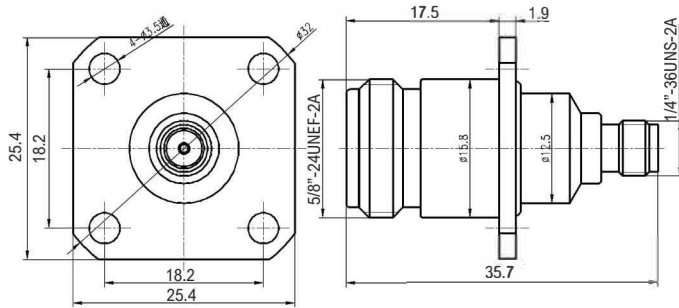


BETWEEN SERIES

SMA \Rightarrow N

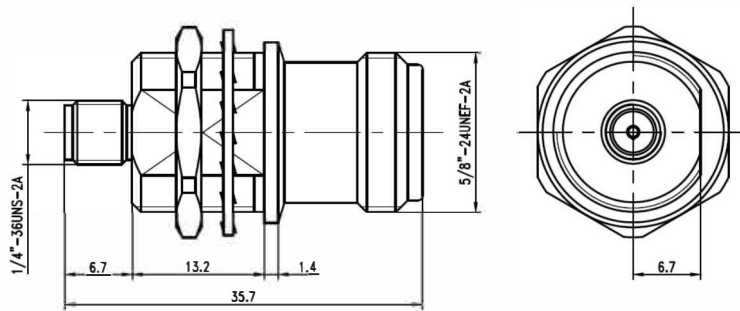
177	Model	Frequency Range	VSWR
	SMA/N-KFK	DC-18GHz	≤ 1.15

Type: SMA N jack/female
N jack/female



177A	Model	Frequency Range	VSWR
	SMA/N-KYK	DC-18GHz	≤ 1.15

Type: SMA N jack/female
N jack/female

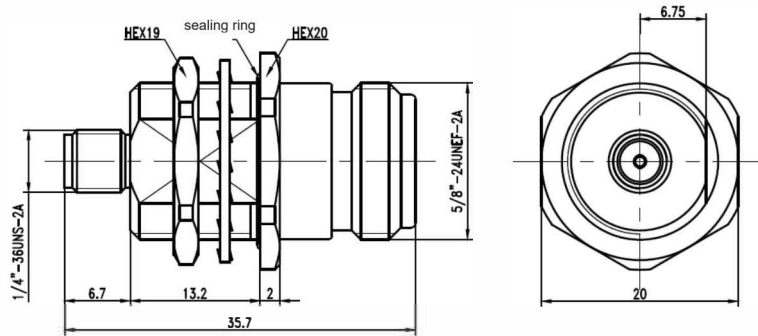


BETWEEN SERIES

SMA \Rightarrow N

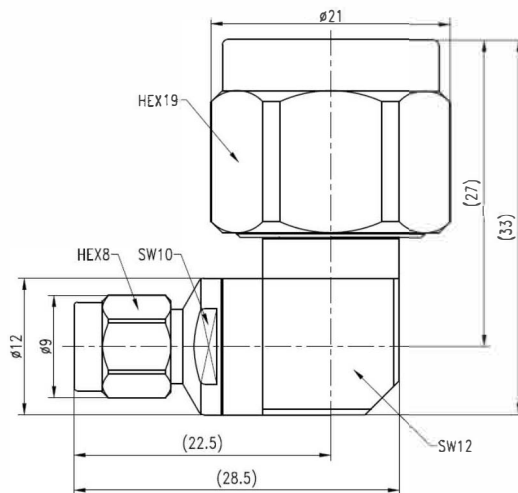
177B	Model	Frequency Range	VSWR
	SMA/N-KYK	DC-18GHz	≤ 1.15

Type: SMA jack/female
 N jack/female



177C	Model	Frequency Range	VSWR
	SMA/N-JWJ	DC-18GHz	≤ 1.20

Type: SMA jack/female
 N jack/female



BETWEEN SERIES

N ≅ L16



- **Characteristic**

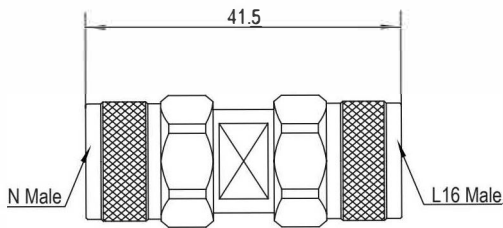
Impedance : 50Ω
 Life Time: 10000 times
 Operating Range: -55 C ~+165 C
 Unit: mm

- **Material**

Body: stainless steel passivation
 Center pin: beryllium/gold plating
 Dielectric: PEI

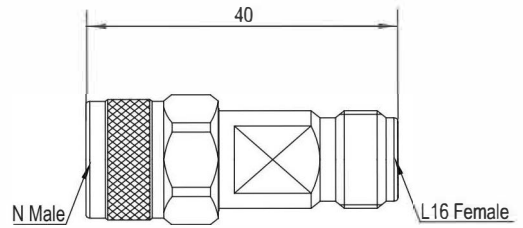
178	Model	Frequency Range	VSWR
	N/L16-JJ	DC-18GHz	≤1.20

Type: N L16 plug/male plug/male



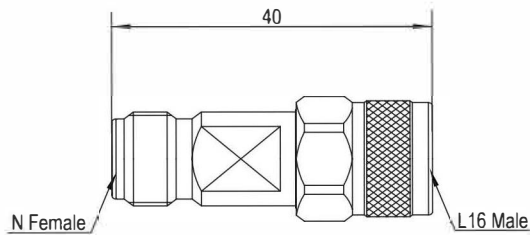
179	Model	Frequency Range	VSWR
	N/L16-JK	DC-18GHz	≤1.20

Type: N L16 plug/male jack/female



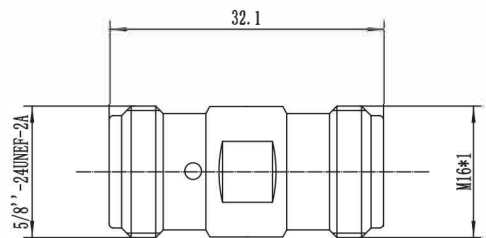
180	Model	Frequency Range	VSWR
	N/L16-KJ	DC-18GHz	≤1.20

Type: N L16 jack/female plug/male



181	Model	Frequency Range	VSWR
	N/L16-KK	DC-18GHz	≤1.20

Type: N L16 jack/female jack/female

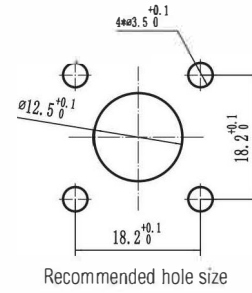
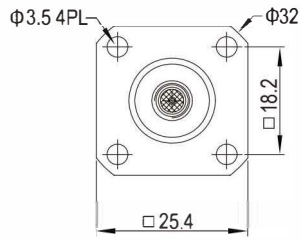
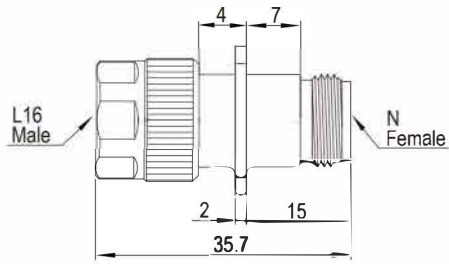


BETWEEN SERIES

N ≅ L16

182	Model	Frequency Range	VSWR
	N/L16-JFK	DC-18GHz	≤1.20

Type: N jack/female
 L16 plug/male



BETWEEN SERIES

SMA \approx SMP



- **Characteristic**

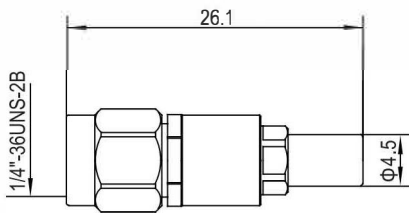
Impedance : 50 Ω
 Life Time: 2000 times
 Operating Range: -55 C ~+165 C
 Unit: mm

- **Material**

Body:
 SMA \rightarrow stainless steel passivation
 SMP-male \rightarrow stainless steel passivation
 SMP-female \rightarrow beryllium copper gold plated
Center pin: beryllium/gold plating
Dielectric: PEI & PTFE

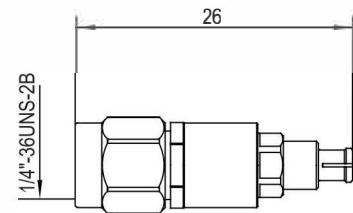
191	Model	Frequency Range	VSWR
	SMA/SMP-JJ	DC-18GHz	≤ 1.20

Type: SMA plug/male
 SMP plug/male



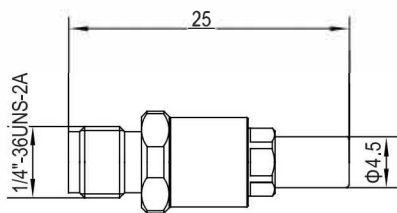
192	Model	Frequency Range	VSWR
	SMA/SMP-JK	DC-18GHz	≤ 1.20

Type: SMA plug/male
 SMP jack/female



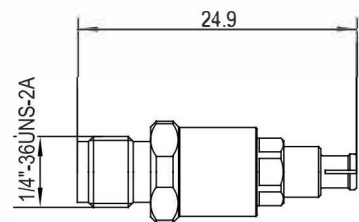
193	Model	Frequency Range	VSWR
	SMA/SMP-KJ	DC-18GHz	≤ 1.25

Type: SMA jack/female
 SMP plug/male



194	Model	Frequency Range	VSWR
	SMA/SMP-KK	DC-18GHz	≤ 1.25

Type: SMA jack/female
 SMP jack/female



BETWEEN SERIES

SMA \approx SSMP



- **Characteristic**

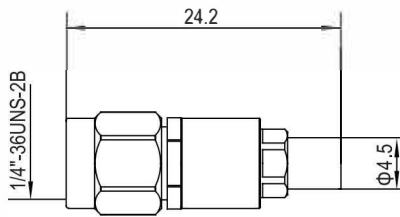
Impedance : 50 Ω
 Life Time: 2000 times
 Operating Range: -55 C ~+165 C
 Unit: mm

- **Material**

Body:
 SMA \rightarrow stainless steel passivation
 SSMP-male \rightarrow stainless steel passivation
 SSMP-female \rightarrow beryllium copper gold plated
 Center pin: beryllium/gold plating
 Dielectric: PEI & PTFE

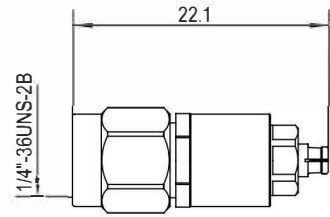
195	Model	Frequency Range	VSWR
	SMA/SSMP-JJ	DC-18GHz	≤ 1.25

Type: SMA plug/male
 SSMP plug/male



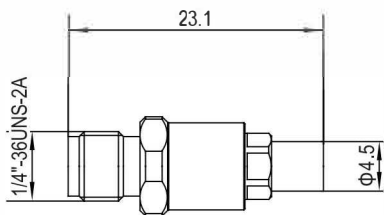
196	Model	Frequency Range	VSWR
	SMA/SSMP-JK	DC-18GHz	≤ 1.25

Type: SMA plug/male
 SSMP jack/female



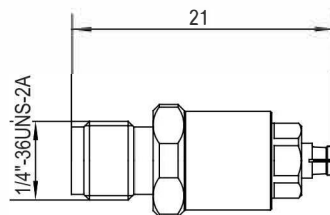
197	Model	Frequency Range	VSWR
	SMA/SSMP-KJ	DC-18GHz	≤ 1.25

Type: SMA jack/female
 SSMP plug/male



198	Model	Frequency Range	VSWR
	SMA/SSMP-KK	DC-18GHz	≤ 1.25

Type: SMA jack/female
 SSMP jack/female



BETWEEN SERIES

N \rightleftharpoons TNC



- **Characteristic**

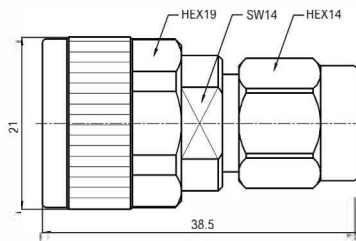
Impedance : 50 Ω
 Life Time: 10000 times
 Operating Range: -55 $^{\circ}$ C ~+165 $^{\circ}$ C
 Unit: mm

- **Material**

Body: stainless steel passivation
 Center pin: beryllium/gold plating
 Dielectric: PEI & PTFE

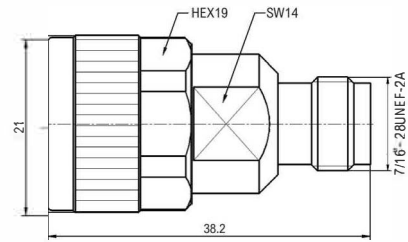
199	Model	Frequency Range	VSWR
	N/TNC-JJ	DC-18GHz	≤ 1.20

Type: N plug/male
 TNC plug/male



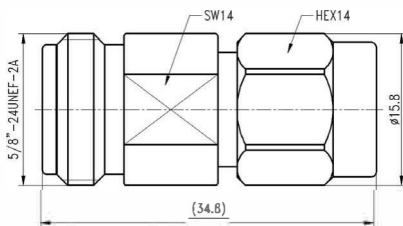
200	Model	Frequency Range	VSWR
	N/TNC-JK	DC-18GHz	≤ 1.20

Type: N plug/male
 TNC jack/female



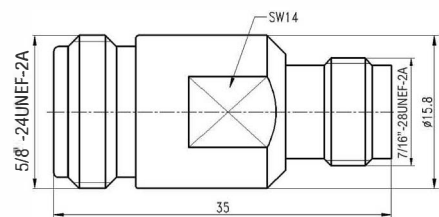
201	Model	Frequency Range	VSWR
	N/TNC-KJ	DC-18GHz	≤ 1.20

Type: N jack/female
 TNC plug/male



202	Model	Frequency Range	VSWR
	N/TNC-KK	DC-18GHz	≤ 1.20

Type: N jack/female
 TNC jack/female

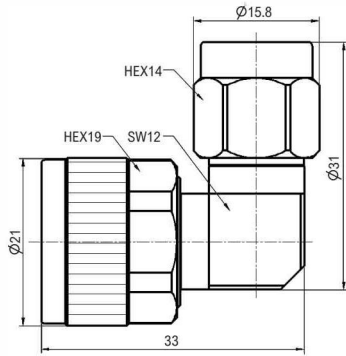


BETWEEN SERIES

N ≅ TNC

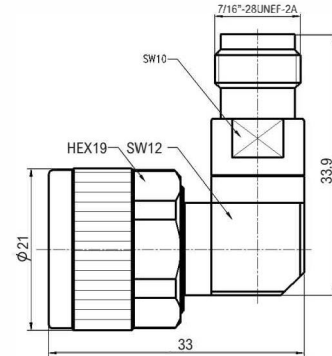
203	Model	Frequency Range	VSWR
	N/TNC-JWJ	DC-18GHz	≤1.25

Type: N plug/male
TNCA plug/male



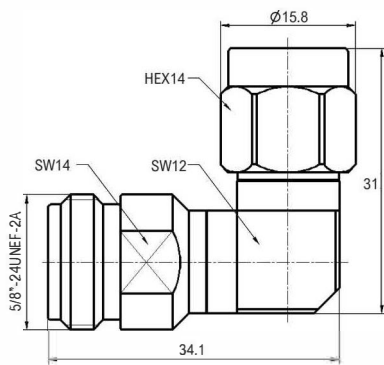
204	Model	Frequency Range	VSWR
	N/TNC-JWK	DC-18GHz	≤1.30

Type: N plug/male
TNCA jack/female



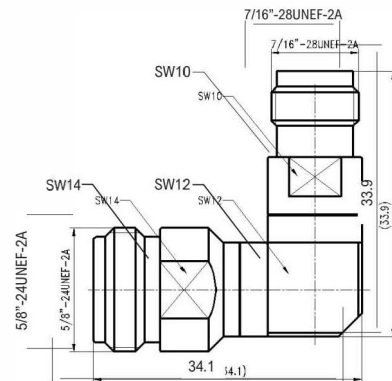
205	Model	Frequency Range	VSWR
	N/TNC-KWJ	DC-18GHz	≤1.25

Type: N jack/female
TNCA plug/male



206	Model	Frequency Range	VSWR
	N/TNC-KWK	DC-18GHz	≤1.25

Type: N jack/female
TNCA jack/female



BETWEEN SERIES

N ⇌ BNC



- **Characteristic**

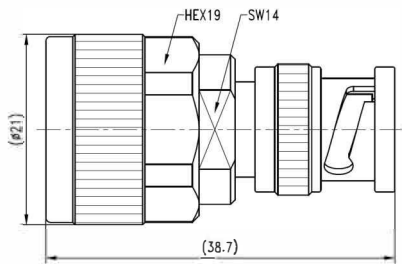
Impedance : 50Ω
 Life Time: 10000 times
 Operating Range: -55 C ~+165 C
 Unit: mm

- **Material**

Body: stainless steel passivation
 Center pin: beryllium/gold plating
 Dielectric: PTFE

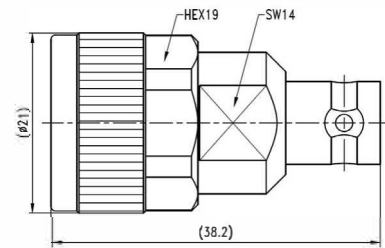
207	Model	Frequency Range	VSWR
	N/BNC-JJ	DC-6GHz	≤1.15

Type: N plug/male
 BNC plug/male



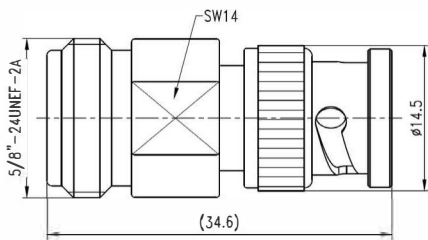
208	Model	Frequency Range	VSWR
	N/BNC-JK	DC-6GHz	≤1.15

Type: N plug/male
 BNC jack/female



209	Model	Frequency Range	VSWR
	N/BNC-KJ	DC-6GHz	≤1.15

Type: N jack/female
 BNC plug/male



210	Model	Frequency Range	VSWR
	N/BNC-KK	DC-6GHz	≤1.15

Type: N jack/female
 BNC jack/female

